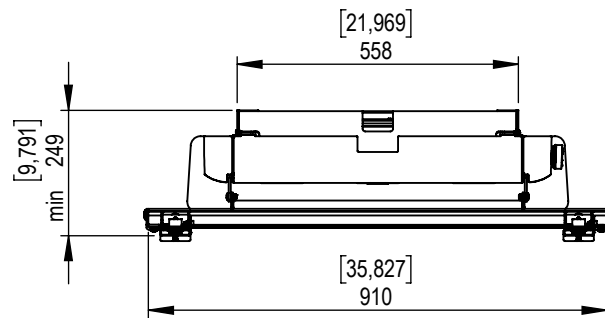
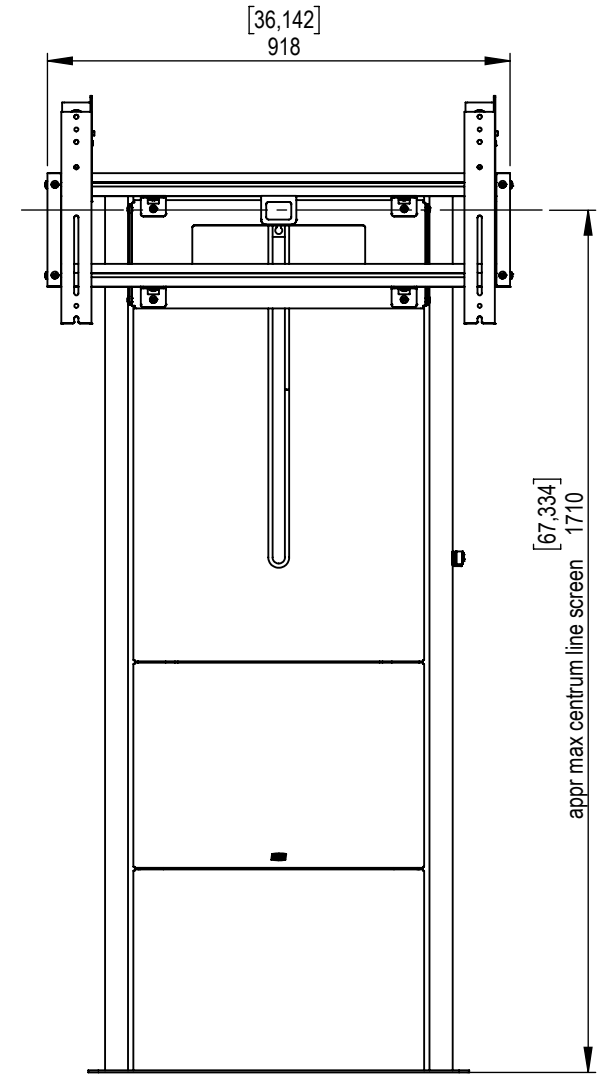
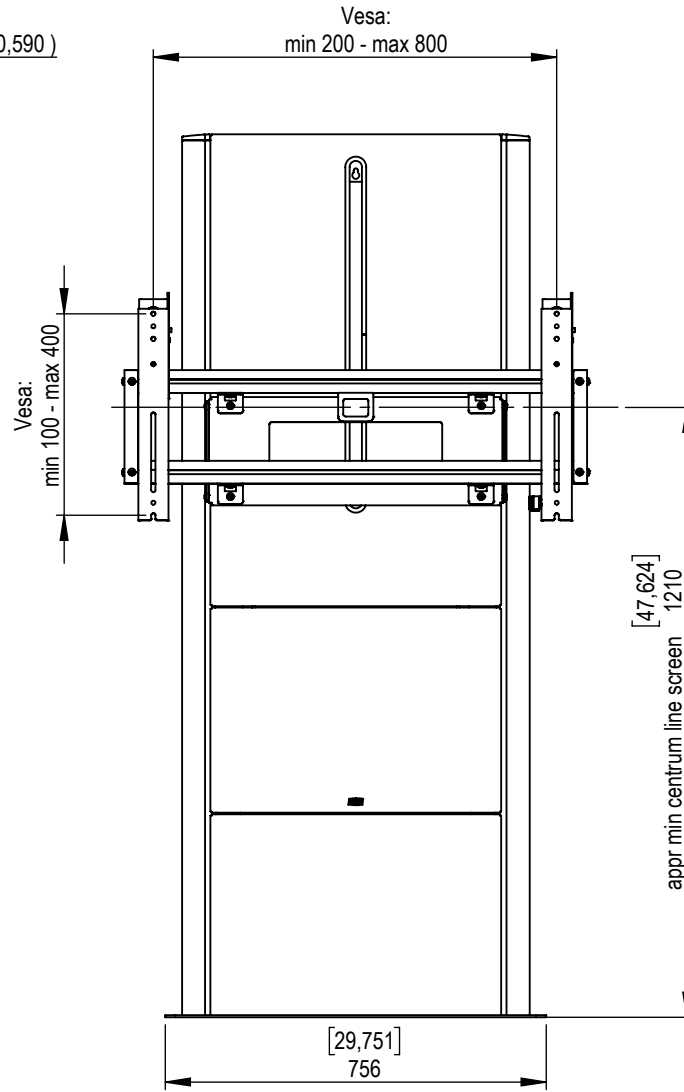
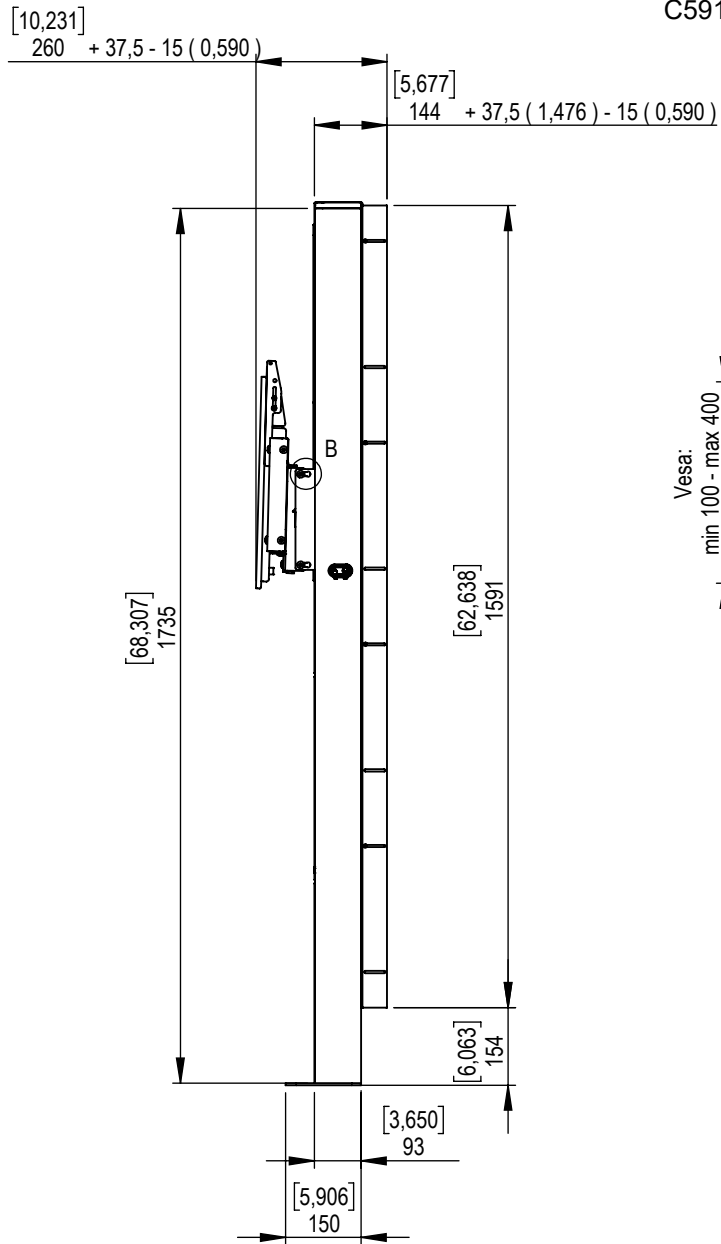
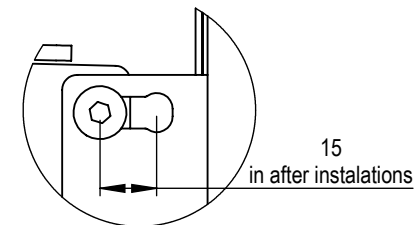


Technical drawing (mm)  
 C591U005-2CDE0 SMS Presence W/F Motor 150 800x400 EU/UK/US dimensions



DETAIL B  
 SCALE 1 : 2



Technical drawing (mm)  
 C591U005-2CDE0 SMS Presence W/F Motor 150 800x400 EU/UK/US dimensions

