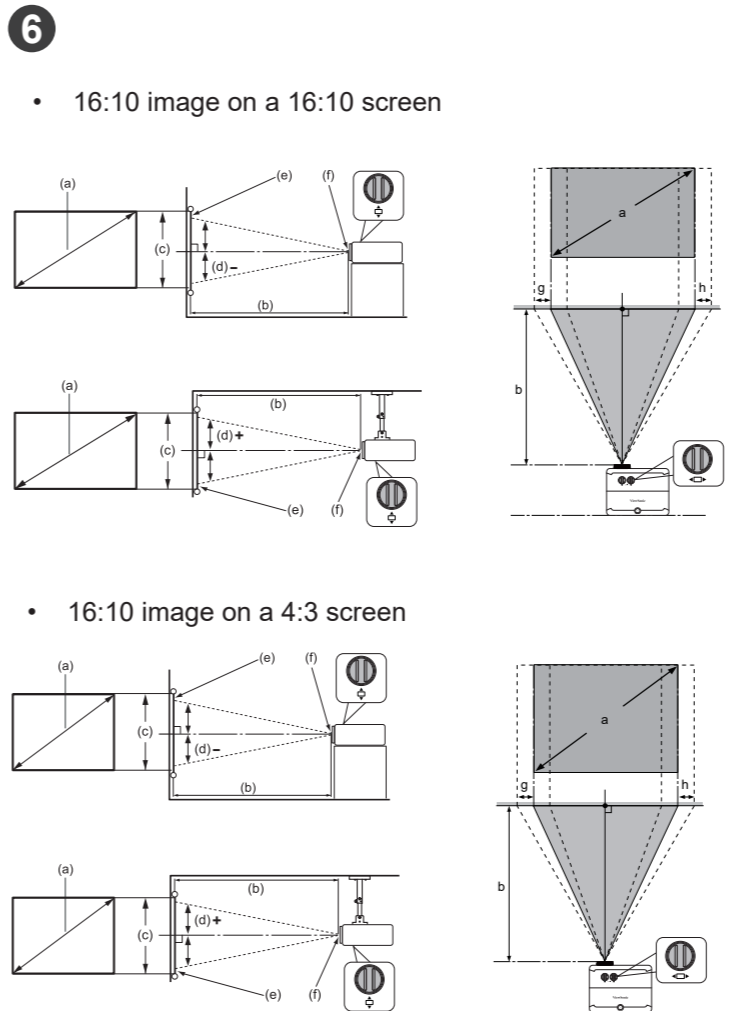
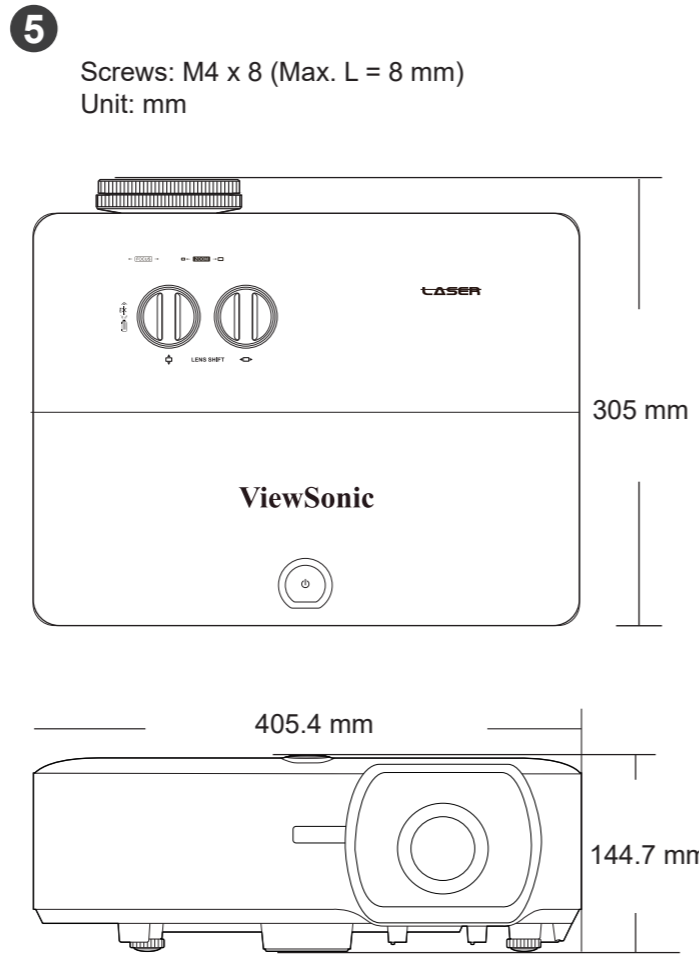
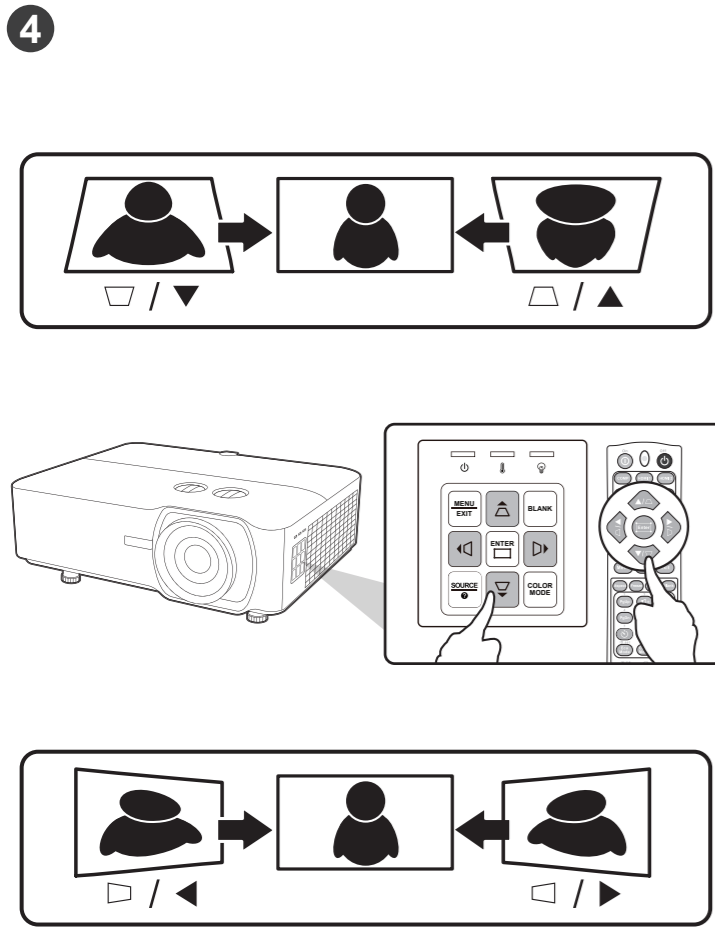
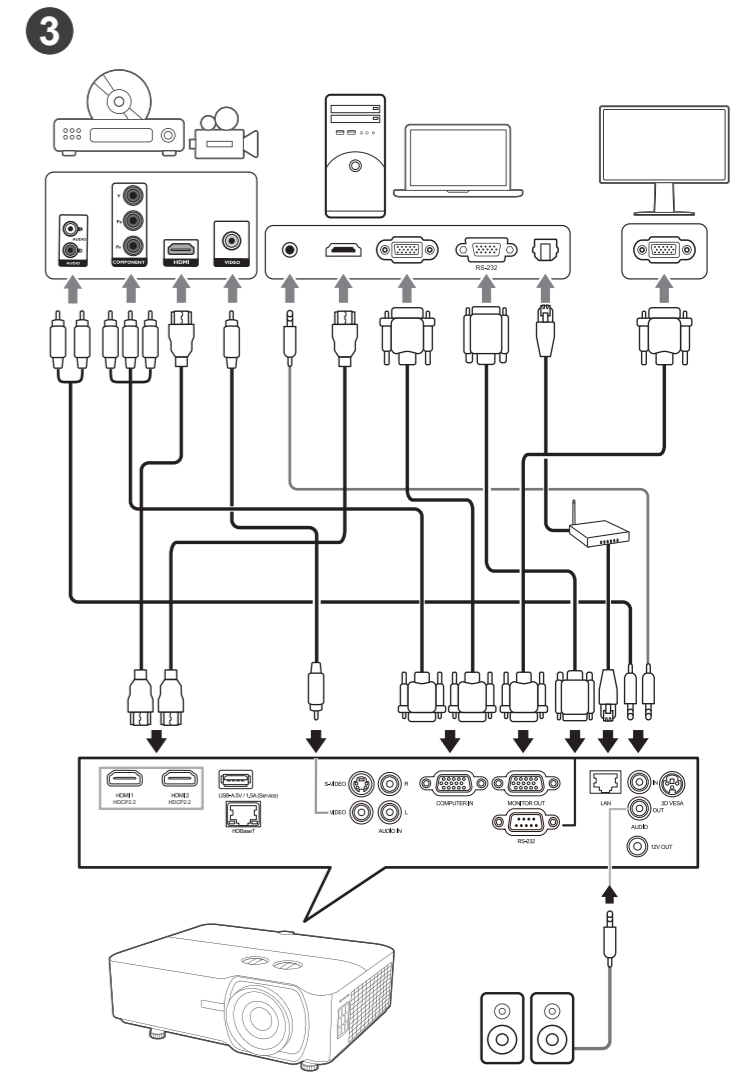
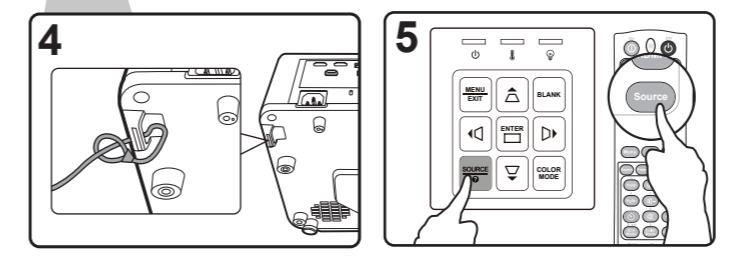
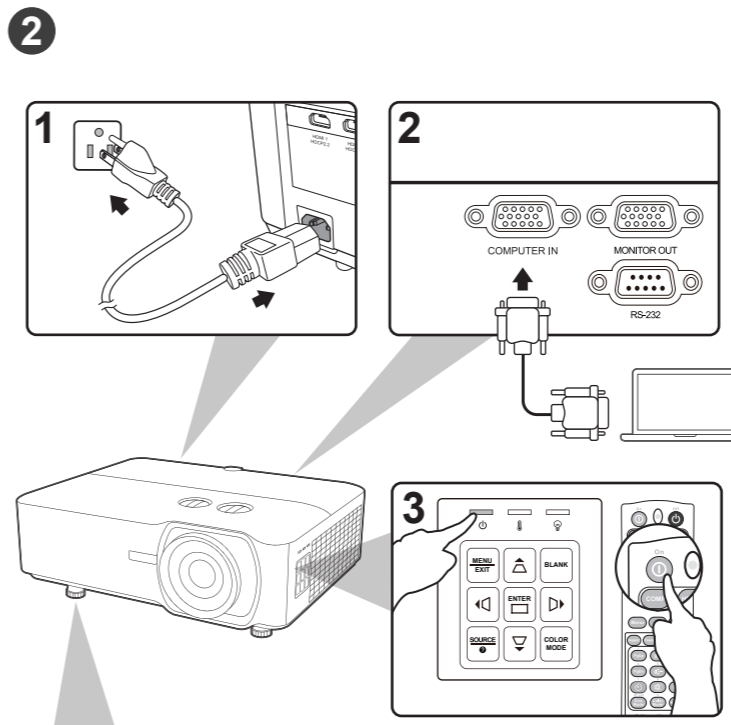
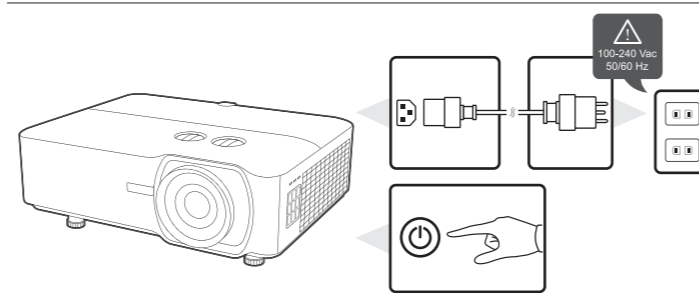


# LS920WU

## DLP Projector

Quick Start Guide  
 快速安装说明  
 快速入门指南  
 빠른 시작 가이드  
 クイックスタートガイド  
 Guide de démarrage rapide  
 Schnellstarthandbuch  
 Guia de inicio rápido  
 Guida introduttiva  
 Guia de Inicio Rápido  
 Startvejledning  
 hurtigstartvejledning  
 Przewodnik Szybki start  
 короткий посібник користувача  
 Hızlı Başlangıç Kılavuzu

Snabbstartsguide  
 Vodič za brzo pokretanje  
 краткое руководство по началу работы  
 Ghid de pornire rapidă  
 Első lépések  
 Οδηγός γρήγορης εκκίνησης  
 Pika-aloitusopas  
 Úvodní příručka  
 Vodič za brzi početak  
 Ръководство за бърз старт  
 Aan de slag  
 Panduan Mulai Cepat  
 Hướng dẫn Khởi động Nhanh  
 คู่มือเริ่มด้นฉบับย่อ  
 دليل البدء السريع



16:10 image on a 16:10 Screen

(a) Screen Size	(b) Projection distance				(c) Image height		(d) Vertical offset				
	min.		max.		min.		min.		max.		
inch	mm	inch	mm	inch	mm	inch	mm	inch	mm	inch	mm
30	762	34	876	55	1401	16	404	-8	-202	8	202
40	1016	46	1168	74	1869	21	538	-11	-269	11	269
50	1270	57	1460	92	2336	26	673	-13	-337	13	337
60	1524	69	1752	110	2803	32	808	-16	-404	16	404
70	1778	80	2044	129	3270	37	942	-19	-471	19	471
80	2032	92	2336	147	3737	42	1077	-21	-538	21	538
90	2286	103	2628	166	4204	48	1212	-24	-606	24	606
100	2540	115	2920	184	4671	53	1346	-26	-673	26	673
120	3048	138	3503	221	5606	64	1615	-32	-808	32	808
150	3810	172	4379	276	7007	79	2019	-40	-1010	40	1010
200	5080	230	5839	368	9343	106	2692	-53	-1346	53	1346
250	6350	287	7299	460	11678	132	3365	-66	-1683	66	1683
300	7620	345	8759	552	14014	159	4039	-79	-2019	79	2019

16:10 image on a 4:3 Screen

(a) Screen Size	(b) Projection distance				(c) Image height		(d) Vertical offset				
	min.		max.		min.		min.		max.		
inch	mm	inch	mm	inch	mm	inch	mm	inch	mm	inch	mm
30	762	65	1653	104	2644	30	762	-15	-381	15	381
40	1016	76	1928	121	3085	35	889	-18	-445	18	445
50	1270	87	2203	139	3525	40	1016	-20	-508	20	508
60	1524	98	2479	156	3966	45	1143	-23	-572	23	572
70	1778	108	2754	173	4407	50	1270	-25	-635	25	635
80	2032	119	3030	191	4848	55	1397	-28	-699	28	699
90	2286	130	3305	208	5288	60	1524	-30	-762	30	762
100	2540	141	3581	226	5729	65	1651	-33	-826	33	826
120	3048	152	3856	243	6170	70	1778	-35	-889	35	889
150	3810	163	4131	260	6610	75	1905	-38	-953	38	953
200	5080	173	4407	278	7051	80	2032	-40	-1016	40	1016
250	6350	184	4682	295	7492	85	2159	-43	-1080	43	1080
300	7620	195	4958	312	7932	90	2286	-45	-1143	45	1143

There is 3% tolerance among these numbers due to optical component variations. It is recommended that if you intend to permanently install the projector, you should physically test the projection size and distance using the actual projector in situ before you permanently install it, so as to make allowance for this projector's optical characteristics. This will help you determine the exact mounting position so that it best suits your installation location.

