



LS831WU
DLP Projector
Quick Start Guide

快速安装说明
快速入門指南
빠른 시작 가이드
クイックスタートガイド
Ръководство за бърз старт
Vodič za brzo pokretanje
Úvodní příručka
Aan de slag
Pika-aloitusopas
Guide de démarrage rapide
Schnellstarthandbuch
Oδηγός γρήγορης εκκίνησης
Első lépések
Guida introduttiva

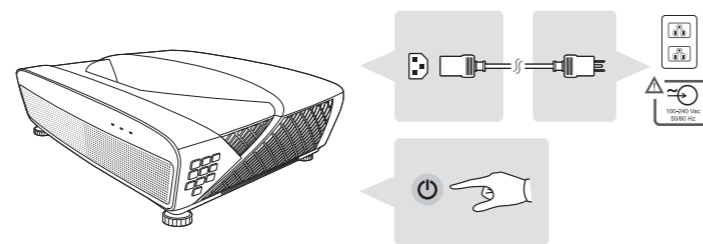
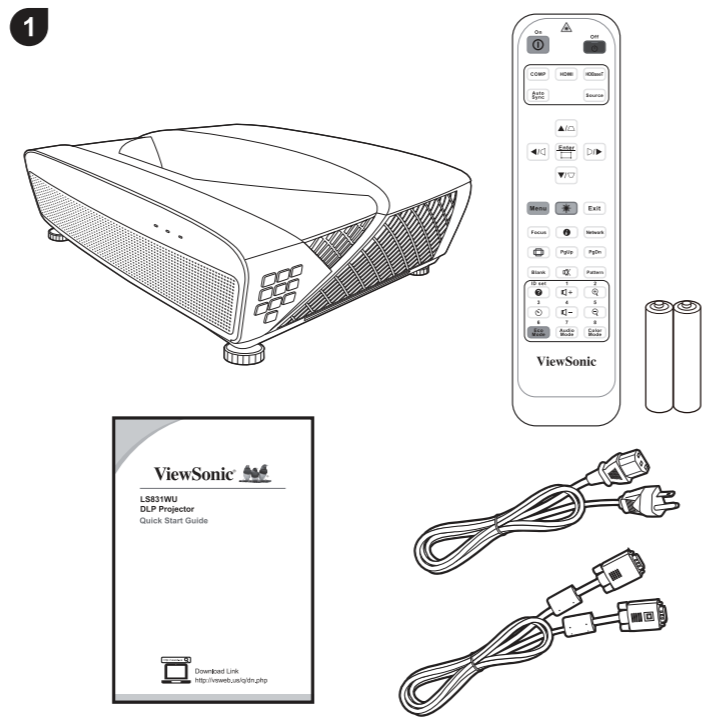
Przewodnik Szybki start
Guia de Inicio Rápido
Ghid de pornire rapidă
краткое руководство по началу работы
Vodič za brzi početak
Priručka so stručným návodom
Vodnik za hitri začetek
Guia de inicio rápido
Snabbstartsguide
Hızlı Başlangıç Kılavuzu
короткий посібник користувача
Panduan Mulai Cepat
دليل البدء السريع



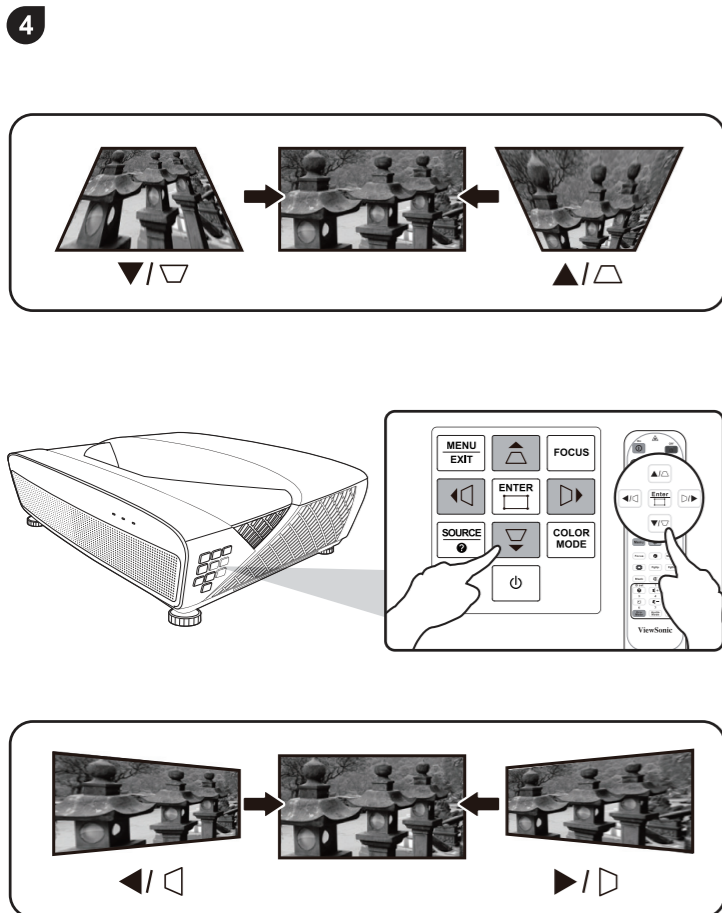
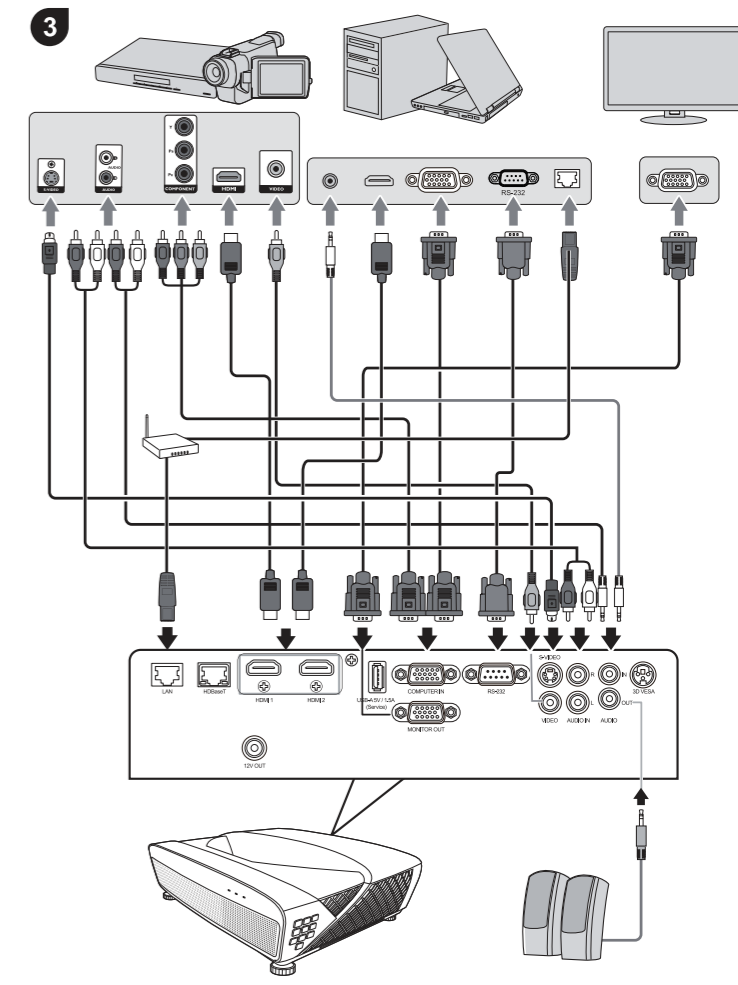
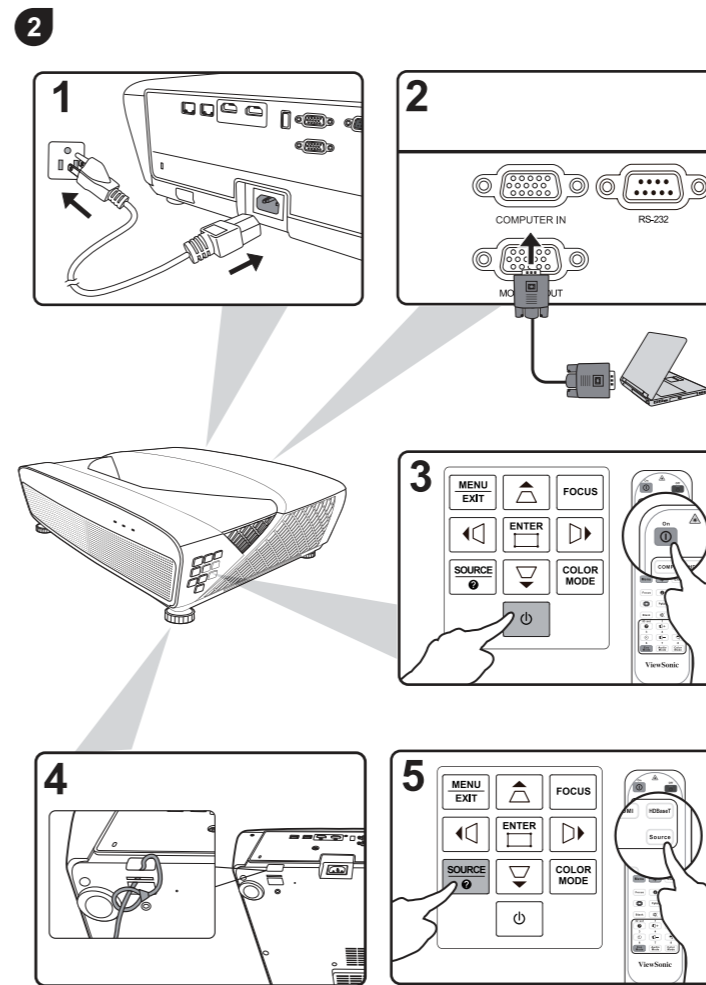
ViewSonic Projector



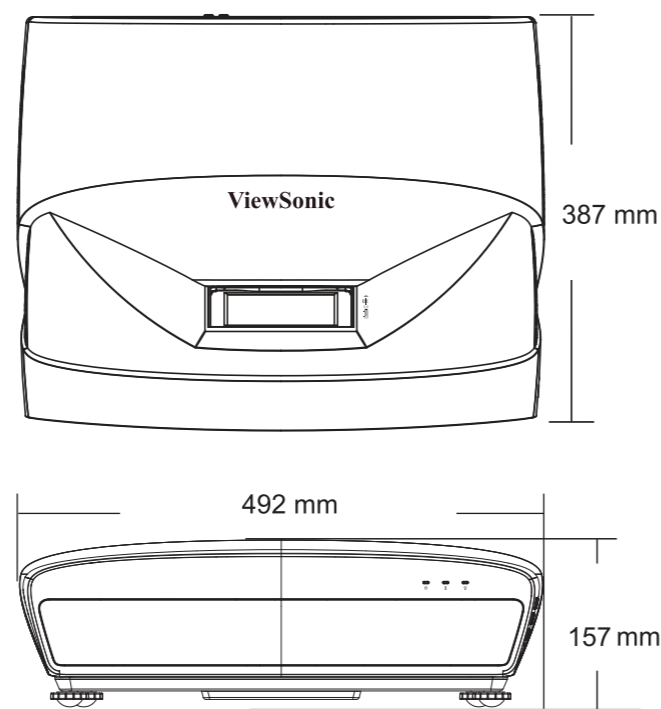
Download Link
<http://vsweb.us/q/dn.php>



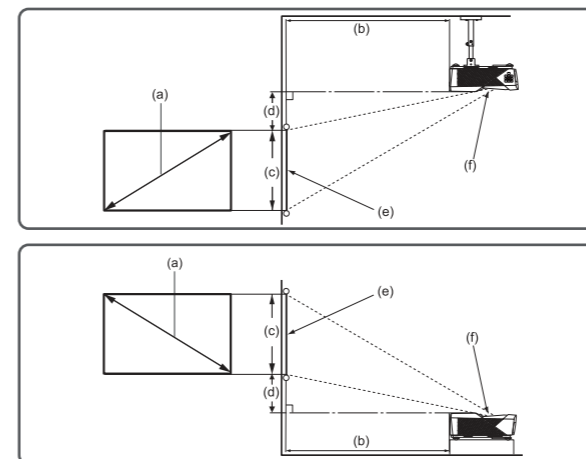
P/N:4J.4M001.002



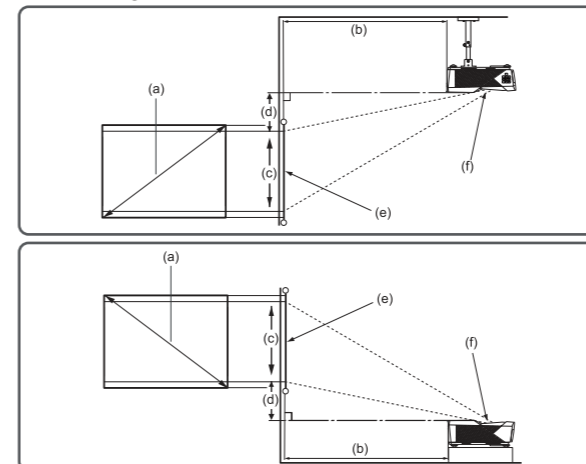
5 Screws: M4 x 8 (Max. L = 8 mm)
Unit: mm



• 16:10 image on a 16:10 screen



• 16:10 image on a 4:3 screen



Note: (e) = Screen/(f) = Center of Lens

(a) Screen Size		16:10 image on a 16:10 Screen					
		(b) Projection distance (HSG Back side to SCR)		(c) Image height [cm (inch)]		(d) Vertical offset [cm (inch)] (HSG Top side to Image Bottom)	
Inches	cm	Inch	cm	Inch	cm	Inch	cm
70	178	2.34	5.933	37.10	94.2	5.8	14.8
80	203	4.33	10.989	42.40	107.7	7.0	17.7
90	229	6.32	16.045	47.70	121.2	8.1	20.7
100	254	8.31	21.101	53.00	134.6	9.3	23.6
110	279	10.30	26.156	58.30	148.1	10.5	26.6
120	305	12.29	31.212	63.60	161.5	11.6	29.6
130	330	14.28	36.268	68.90	175.0	15.2	38.5
140	356	16.27	41.324	74.20	188.5	16.3	41.5
150	381	18.26	46.380	79.50	201.9	17.5	44.4
160	406	20.25	51.435	84.80	215.4	18.7	47.4
170	432	22.24	56.491	90.10	228.9	19.8	50.3
180	457	24.23	61.547	95.40	242.3	21.0	53.3
190	483	26.22	66.603	100.70	255.8	22.2	56.3
200	508	28.21	71.659	106.00	269.2	23.3	59.2

(a) Screen Size		16:10 image on a 4:3 Screen					
		(b) Projection distance (HSG Back side to SCR)		(c) Image height [cm (inch)]		(d) Vertical offset [cm (inch)] (HSG Top side to Image Bottom)	
Inches	cm	Inch	cm	Inch	cm	Inch	cm
70	178	3.7	9.5	35.0	88.9	5.4	13.6
80	203	5.8	14.8	40.0	101.6	6.5	16.4
90	229	7.9	20.1	45.0	114.3	7.6	19.2
100	254	10.0	25.4	50.0	127.0	8.7	22.0
110	279	12.1	30.7	55.0	139.7	9.8	24.8
120	305	14.1	35.9	60.0	152.4	10.9	27.6
130	330	16.2	41.2	65.0	165.1	12.0	30.4
140	356	18.3	46.5	70.0	177.8	13.1	33.1
150	381	20.4	51.8	75.0	190.5	14.2	35.9
160	406	22.5	57.1	80.0	203.2	15.3	38.7
170	432	24.5	62.4	85.0	215.9	16.4	41.5
180	457	26.6	67.6	90.0	228.6	17.5	44.3
190	483	28.7	72.9	95.0	241.3	18.6	47.1
200	508	30.8	78.2	100.0	254.0	19.7	49.9

Distance from the center of the glass lens to the bottom peg: 327.28 mm

There is 3% tolerance among these numbers due to optical component variations. It is recommended that if you intend to permanently install the projector, you should physically test the projection size and distance using the actual projector in situ before you permanently install it, so as to make allowance for this projector's optical characteristics. This will help you determine the exact mounting position so that it best suits your installation location.

