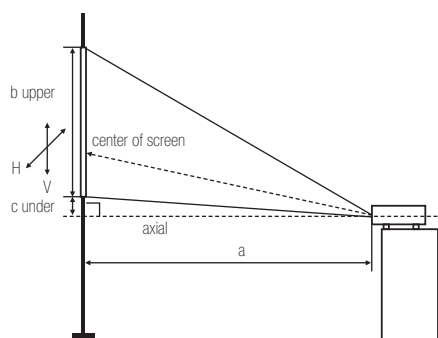
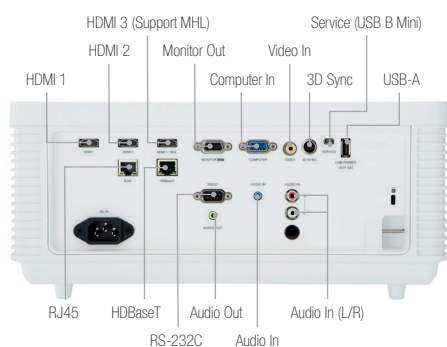


LP-WU6500

1-Chip DLP laser projector, 5,000 ANSI Lumens, 30,000:1 contrast ratio, WUXGA (1920 x 1200) resolution

HITACHI
Inspire the Next

Technical Specifications



a: Projection distance from centre of lens to the screen.

THROW CHART 16:10 ASPECT RATIO (BUILT-IN LENS)

Screen size (diagonal)	HxV		Projection distance (a)		Screen height (cm)	
	(m)	(m)	Wide (m)	Tele (m)	b upper	c under
36.6" (0.9 m)	0.8	0.5	0.9	1.5	56 – 62	6 – 12
60" (1.5 m)	1.3	0.8	1.5	2.5	91 – 101	11 – 20
80" (2.0 m)	1.7	1.1	2.0	3.3	122 – 135	14 – 27
90" (2.3 m)	1.9	1.2	2.2	3.7	137 – 151	16 – 30
100" (2.5 m)	2.2	1.3	2.5	4.1	152 – 168	18 – 34
120" (3.0 m)	2.6	1.6	3.0	4.9	183 – 202	21 – 40
150" (3.8 m)	3.2	2.0	3.7	6.1	228 – 252	26 – 50
200" (5.1 m)	4.3	2.7	5.0	8.2	304 – 337	35 – 67

THROW CHART 16:9 ASPECT RATIO (BUILT-IN LENS)

Screen size (diagonal)	HxV		Projection distance (a)		Screen height (cm)	
	(m)	(m)	Wide (m)	Tele (m)	b upper	c under
36.6" (0.8 m)	0.8	0.5	0.9	1.5	55 – 61	9 – 15
60" (1.3 m)	1.3	0.7	1.5	2.5	90 – 100	15 – 25
80" (1.8 m)	1.8	1.0	2.0	3.4	120 – 133	20 – 33
90" (2.0 m)	2.0	1.1	2.3	3.8	134 – 149	22 – 37
100" (2.2 m)	2.2	1.2	2.5	4.2	149 – 166	25 – 42
120" (2.7 m)	2.7	1.5	3.1	5.0	179 – 199	30 – 50
150" (3.3 m)	3.3	1.9	3.8	6.3	224 – 249	37 – 62
200" (4.4 m)	4.4	2.5	5.1	8.4	299 – 332	50 – 83

Hitachi Throw Calculator:

<http://www.hitachidigitalmedia.com/en-gb/throw-distance-calculator>

OPTICAL

Display System	1-chip DLP (0.67 inches)
Resolution	WUXGA (1920 x 1200)
Light Output (Brightness) ANSI Lumens	5,000 (Normal)
Contrast Ratio	30,000:1
Lens	Built-in
Lens Zoom	Manual Zoom x 1.65
Lens Focus	Manual Focus
Lens Shift	Manual
Projection Lens F Number	2.45 – 3.13
Throw Distance	1.5m – 5m
Distance to Width Ratio / Throw Ratio (:1)	1.15 – 1.9
Diagonal Display Size	36.7 – 201.9 inches

FEATURES

Installation	Rear, Ceiling, Tabletop, Portrait, 360° Projection
Speakers	5W Stereo
Digital Keystone	Horizontal: ±25 degrees, Vertical: ±30 degrees
Picture Modes	Presentation, Bright, Game, Movie, Vivid, TV, sRGB, DICOM SIM
Picture Adjustments	ASPECT selection(16:10 / 4:3 / 16:9 / Letter Box / Native / 2.35:1), Image blank by RS232C / Remote control, Mirror Reverse Image, Up-side Down Image
Network Features	Projector Control, Projector Management
Security Features	Pin Lock, Key Lock
Supported Languages	27 Languages (English, French, German, Spanish, Portuguese, Simplified Chinese, Traditional Chinese, Italian, Norwegian, Swedish, Dutch, Russian, Polish, Finnish, Greek, Korean, Hungarian, Czech, Arabic, Turkish, Vietnamese, Japanese, Thai, Farsi, Hebrew, Danish, French Canadian)

COMPATIBILITY

Computer	IBM Compatible VGA, SVGA, XGA, WXGA, WXGA+, SXGA, SXGA+, UXGA, WUXGA
Video	525i(480i), 525p(480p), 625i(576i), 625p(576p) 1125i(1080i@50/60), 1125p(1080p@50/60)

CONNECTIONS

Digital Input	HDBaseT, HDMI x 3 (HDCP Compliant, HDMI 3 is shared with MHL)
Analogue Input	15-pin Mini-D-Sub x 1 (shared with analog component video input)
Video Output	RCA Jack x 1, 15 pin Mini D-Sub x 1 (shared with analog computer input)
Audio Input	3.5mm Stereo Mini Jack x 1, RCA jack L/R x 1
Audio Output	3.5mm Stereo Mini Jack x 1
RS-232C Control	1 x 9-pin D-Sub
Wireless LAN	No
Wired LAN	RJ45 jack x 1
USB Type-A	USB type A x 1 (for USB power supply, 5V/1.5A)
USB Type-B	USB Type B x 1 (for service)
Wired Remote I/O	No

POWER

Power Supply	AC 100V – 240V (50/60 Hz)
Power Consumption Operating / Standby	5A / 500W / Less than 0.5W

PHYSICAL

Weight	11.4kg
Dimensions (W x H x D)	360 x 164 x 442mm
Operation Noise	36dB (Normal), 34dB (Eco)

CERTIFICATION

Certification	CE Marking, EN61000-3-2, EN61000-3-3, EN55032(class A), EN55024(EMC directive), EN60950-1 (Low voltage directive), WEEE/RoHS compliant
---------------	--

ACCESSORIES

Supplied Accessories	Power cord (EU cord, US cord), Remote Control (HL03171) x 1, AAA Battery x 2, RGB cable (1.8m) x1, 3D Sync cable x 1, EAC document x 1
Remote Control	HL03171

WARRANTY

Projector / Light Source Warranty	10,000 hours / 5 years (whichever comes first) (for extended warranty please contact your local dealer)
-----------------------------------	---