



65WR6BE

65" ADVANCED INTERACTIVE DISPLAY

Our WR series of Hisense Interactive Digital Display include the latest smart features to improve collaboration and create a leading engaging experience for users. The new WR series is available in 3 sizes (65", 75", 86") and their 4K Ultra HD picture quality ensures perfect colour and rich detail. They are touch enabled allowing multiple people to use them at once to present, illustrate and share information. When using the digital whiteboard, our improved IR software now recognises touch points as little as 2mm ensuring the experience is as accurate as writing with pen and paper. New for 2022, the WR range features an optical bonded display that diffuses reflections and bright light to keep the display visible in any lighting conditions. Users can also now wirelessly connect with two or more additional Hisense displays.



Highlights



4K Ultra HD

The 4K Ultra HD picture quality ensures perfect colour and rich details in all possible surroundings. With a high 85% NTSC (122.9% sRGB) colour gamut and 178° wide viewing angle.



Plug-in camera

A plug-in camera with an ultra wide 120° angle facilitates videoconferencing. Thanks to a 4K monitoring image sensor, even people in dark light will be visible and vivid.



Screen transmission

The WR series interactive digital boards can wirelessly connect with two or more auxiliary screen devices. Near-Field Communication (NFC) touch transmission and A&C screen transmission simplify this process.



Array microphones

Six array microphones are able to filter out any ambient noise. As a result you will have an optimal video conference experience without auditory distraction.



Automatic sound bar

The power of the sound bar can be turned on or off simultaneously with the interactive digital board. Creating an instant auditive experience.



Accurate as analog

The IR software precisely recognizes touch points as little as 2 mm making it as accurate as the experience of writing with pen and paper.



Collaborative interaction

The touchscreen recognizes up to 20 touches at once which is ideal for simultaneous use by meeting participants.



Powerful Architecture

Expect unstoppable performance by an octa-core processor and 3+32GB large memory.



Tempered Glass

Hisense's WR series have heat treated tempered glass preventing any damage to the touch panels.



Anti-Glare

Optical technology diffuses mirror-like reflections and bright lights to help keep what's on your screen clear and visible.



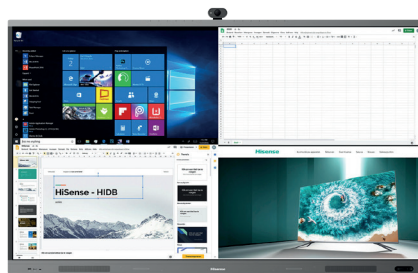
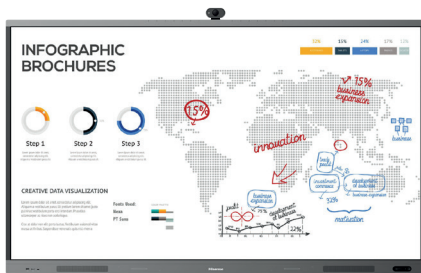
Comfortable viewing

Each of our Interactive Digital Boards has a filter to effectively reduce blue light so your eyes remain comfortable even when using the screen for longer periods of time.



Real-time comments

Spectator comments will pop-up onscreen in real-time. Also they will scroll with the page, so no remarks are missed. All without interrupting the person handling the screen.



Specifications

Interactive Display Panel

LCD Size	65"
Backlight Type	D-LED
Resolution	3840x2160(pixels)
Brightness	350cd/m ² (typ.)
Contrast Ratio	1200:1(typ.)
Response Time	8ms (typ.)
Refreshing Frequency	60Hz
Viewing Angle	178°(H) / 178°(V)
Lifetime	50,000 hrs (min.)
Color Gamut(X% NTSC)	85%
Display Colors	1.07B(10bit)

System

OS	Android 8.0
Language	Chinese/English/German/French/Italian/Spanish/Thai/Indonesian

Speaker

Audio Output Power	2 x 15W/8Ω
--------------------	------------

Connectivity

WI-FI	IEEE 802.11a/b/g/n/ac (2x2) (2.4G and 5G)
Bluetooth	BT5.1
Input	HDMI IN (2.0) x 2 DP IN (1.2a) x 1 OPS(optional) x 1 LAN x 1 USB 2.0 x 2 (1 for Camera) USB 3.0 x 2 Type-C x 1 Touch x 1 RS232 IN x 1
Output	HDMI OUT (2.0) x 1 S/PDIF OUT x 1 Audio OUT x1

Power

Power Requirements	AC 100 V ~ 240 V, 50/60 Hz
Power Consumption Without OPS	270W

Touch

Sensing Type	Infrared Touch Frame
Surface Protection	4mm Anti-Glare Glass
Infrared Touch	≤20 points
Touch Accuracy	90%(±1mm)
Response Time	≤8ms
Minimum Touch Object	≥2mm

Physical

Housing Color	Black
Product Size (W x H x D)	1497 x 915 x 100mm
Package Size (W x H x D)	1720 x 1110 x 240mm
Net Weight	37kg
Packed Weight	48kg
VESA	600x400mm, 4-M8 screw

Optional

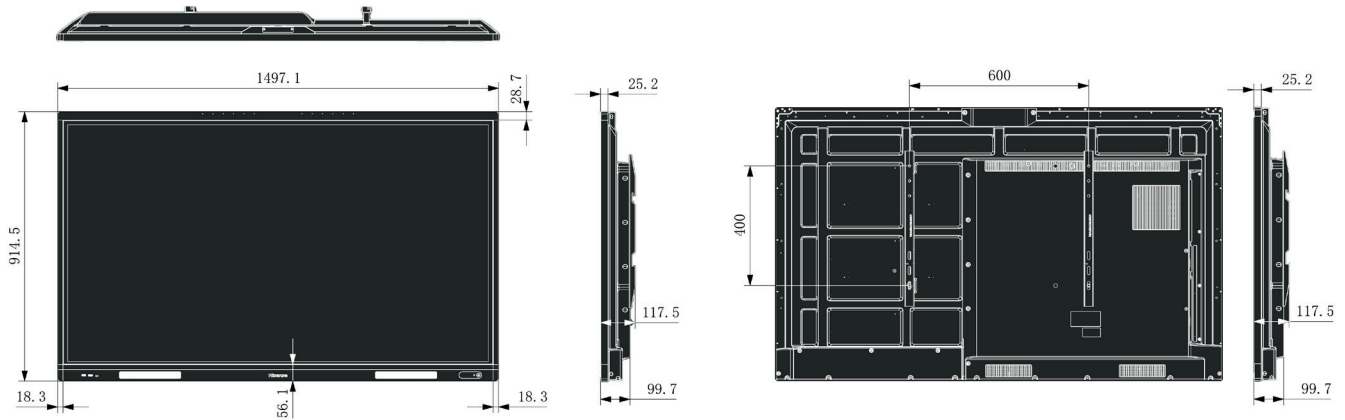
Basic	Mobile Cart
	OPS
	Plug-in Camera

What's in the box

Basic	User manual
	Pen x 2
	Remote Control
	Hanging Wheel x 4
	Wireless Cast
	Power Cable
	Battery x 2
Wall Mount Bracket	

Dimensions

65" | 1497 x 915 x 100 mm
37 kg



Certification

Standard Certification CB, CE, CTUVus, CEC, FCC, ICASA
EAN 6973172940853



300 kWh/1000h



2018/01/22