

peerless-AV[®]

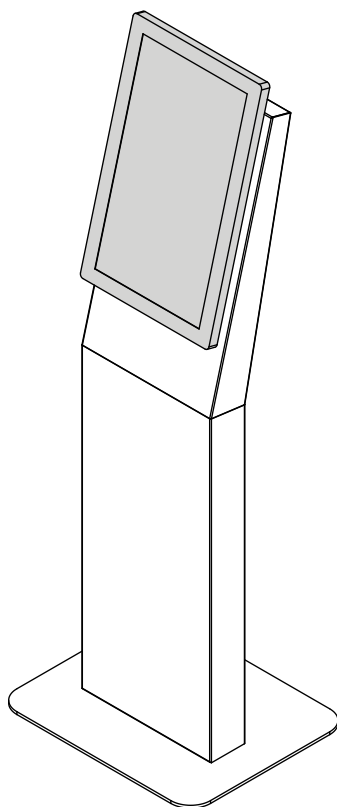
KIP522 KIP522-S



21.5"
(55 cm)



14 lb
(6 kg)



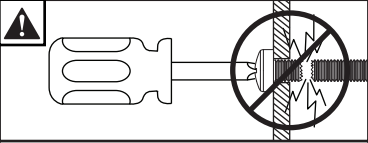
⚠ WARNING

ENG - Do not begin to install product until you have read and understood the instructions and warnings contained in this user guide. Before installing make sure the supporting surface will support the combined load of the equipment and hardware. Screws must be tightly secured. Do not overtighten screws or damage can occur and product may fail. Never exceed the Maximum Load Capacity. Always use an assistant or mechanical lifting equipment to safely lift and position equipment. This product must be installed onto flat, hard, level surface to prevent tipping. This product is intended for indoor use only. Use of this product outdoors could lead to product failure or personal injury. To reduce the risk of electric shock or fire, do not expose product to water or moisture. Be sure power cord is routed so that it will not be tripped on, stepped on, or pinched by heavy items. Avoid overloading electrical outlets or extension cords. Always disconnect the power cord from the power outlet when installing, servicing, or not using the product for an extended period of time. Do not block ventilation slots or fan exhaust on product. Blocking airflow could damage product. Arrange product to allow air to flow freely around product. Keep product away from direct sunlight or any source of heat. For support please call 1-800-865-2112.

ENG Symbols



ENG WARNING



ENG Do not overtighten screws.

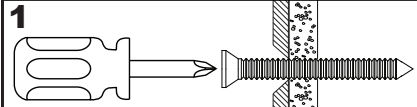


ENG Screws must get at least three full turns and fit snug.

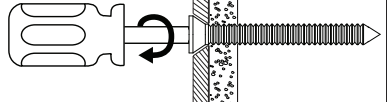


ENG To properly tighten screws: Tighten until screw head makes contact, then tighten another 1/2 turn. Do not overtighten screws.

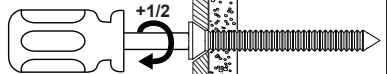
1



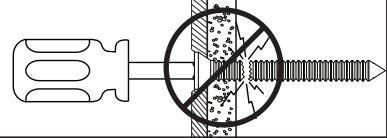
2



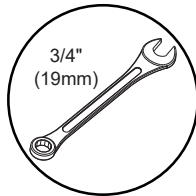
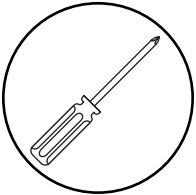
3



4



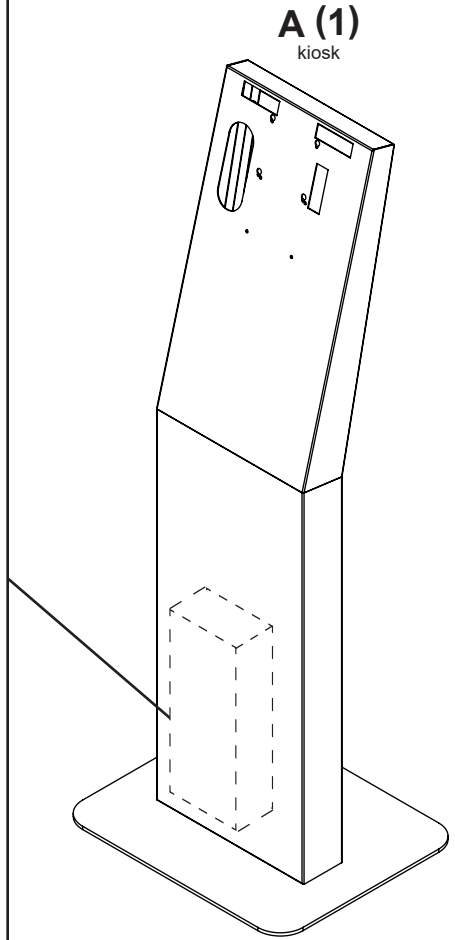
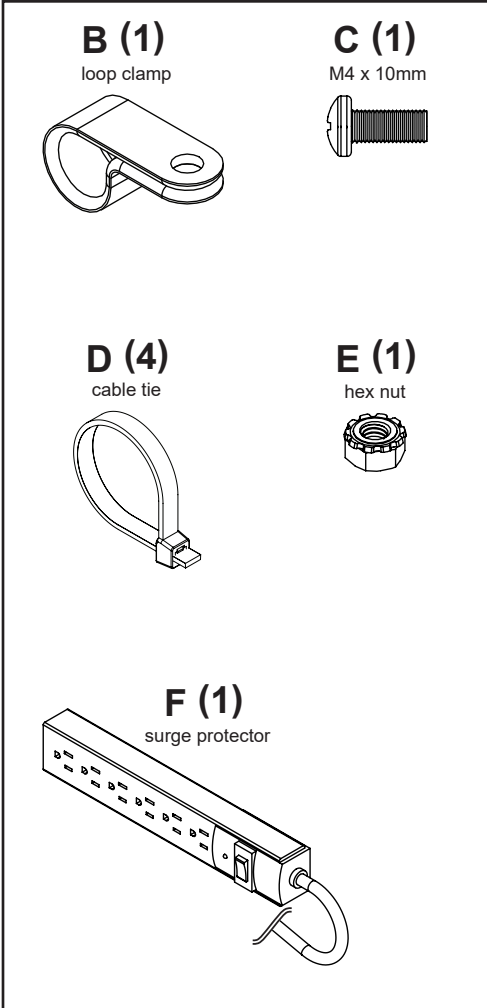
ENG Tools Needed for Assembly.



ENG This page intentionally left blank.

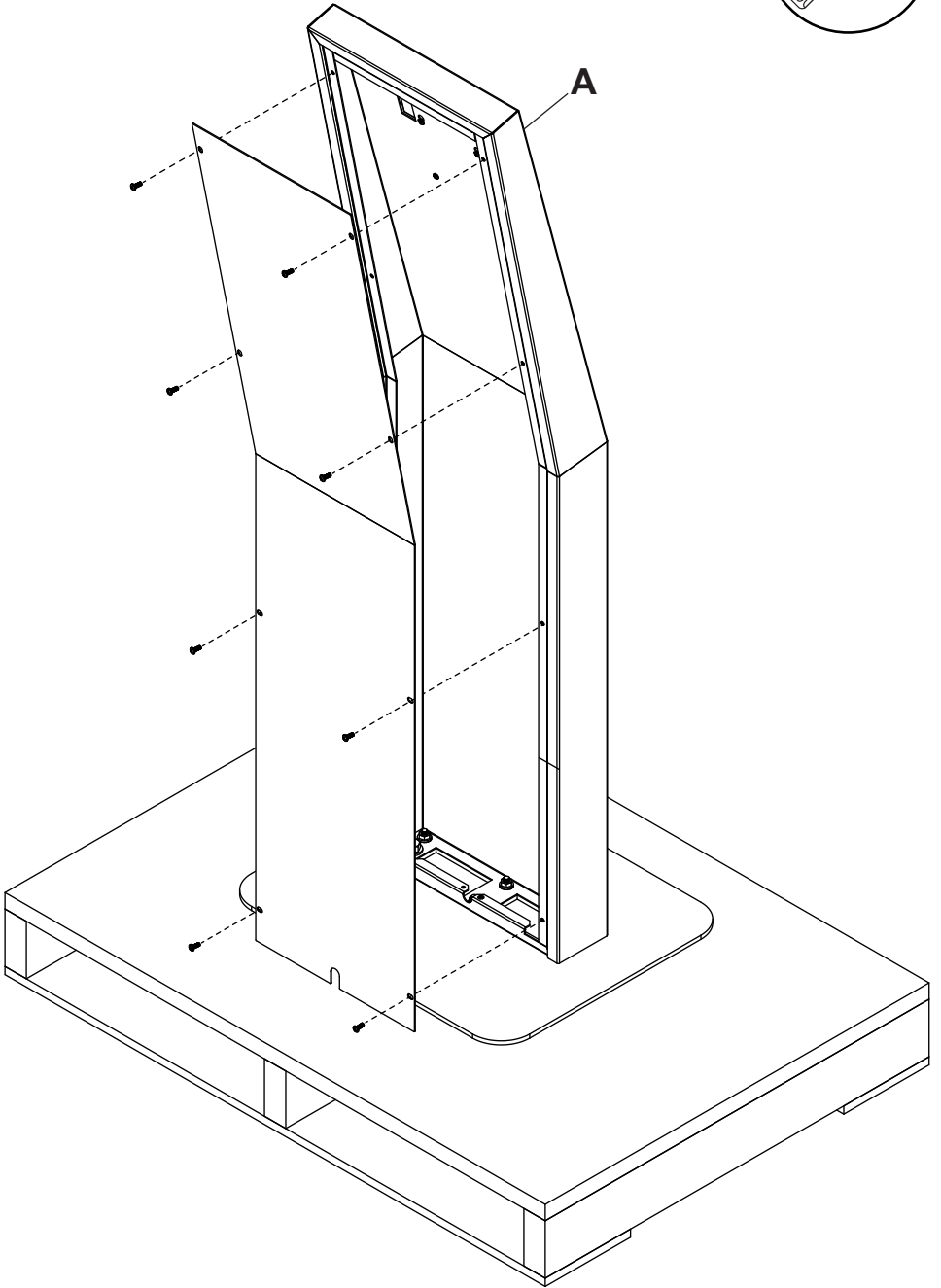
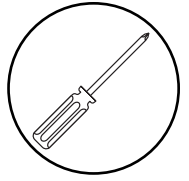
ENG Parts (Before beginning, make sure you have all parts shown below).

Parts List		KIP522-S
Description	Qty	KIP522-BLK
		Part #
A kiosk	1	10001658-SLV 10001658-BLK
B loop clamp	1	10000739
C M4 x 10mm	1	521-1050
D cable tie	4	560-9711
E hex nut	1	530-9041
F surge protector	1	600-0370



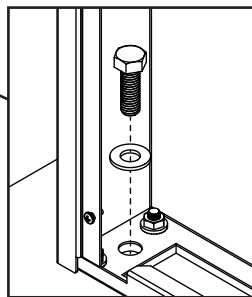
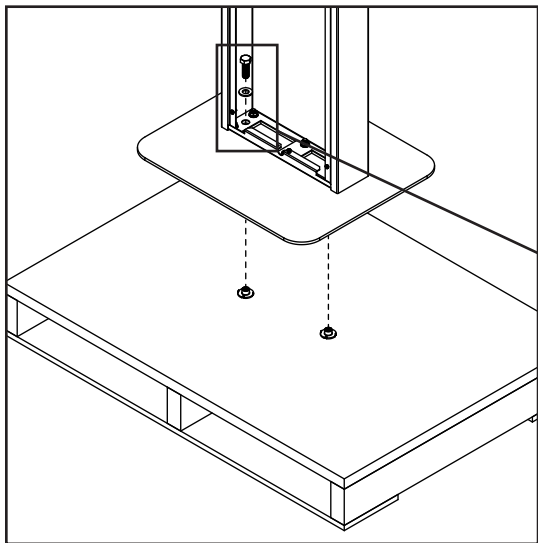
1

ENG Remove

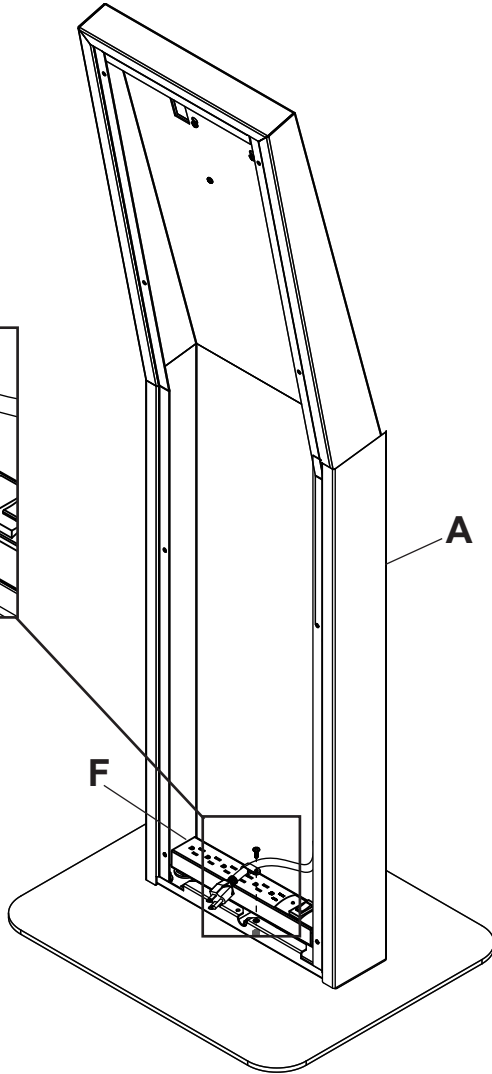
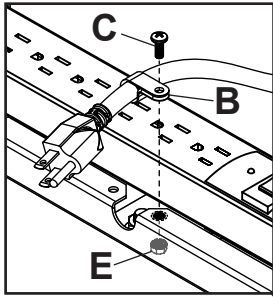
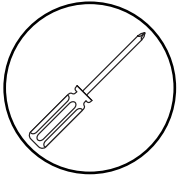


2

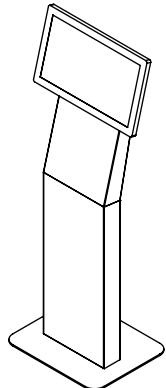
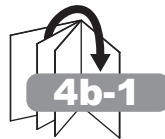
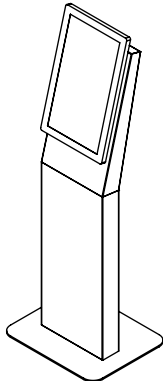
ENG Remove bolts to disengage kiosk from pallet before installing product.



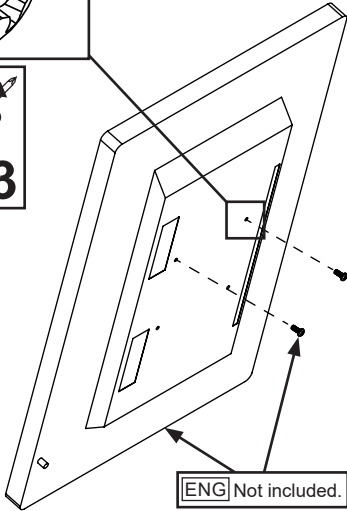
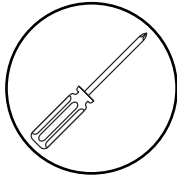
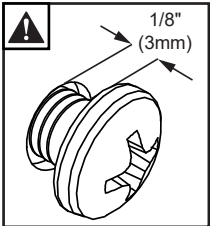
3



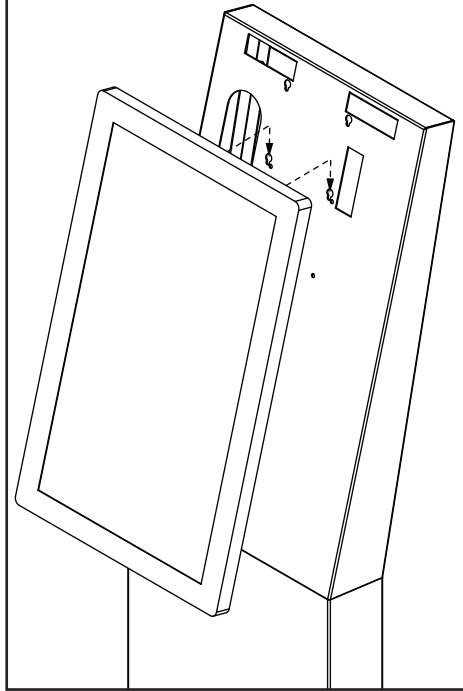
4



4a-1

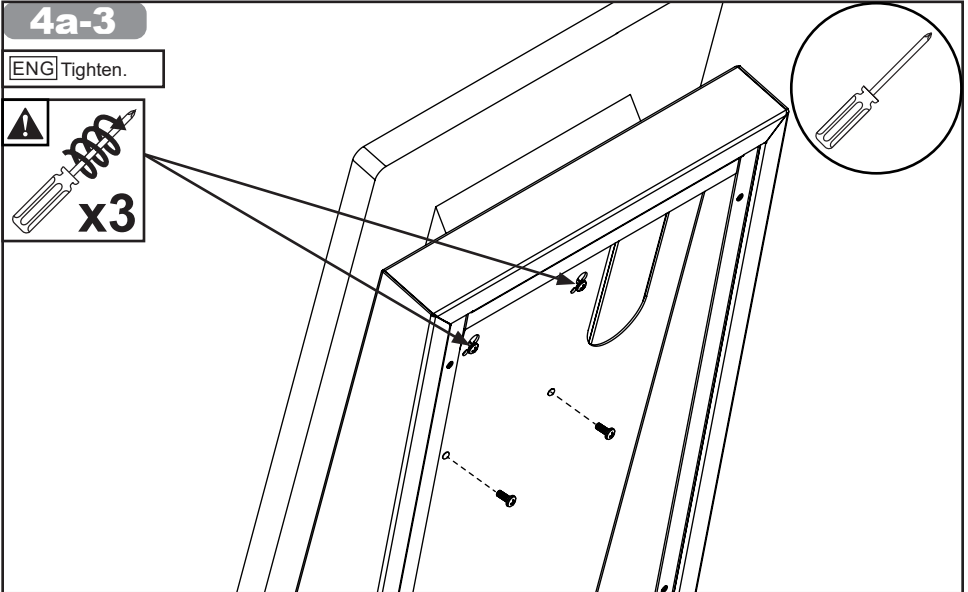
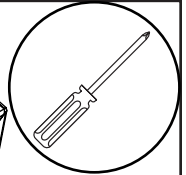


4a-2

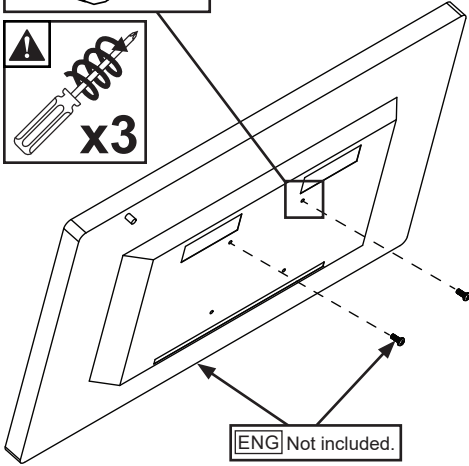
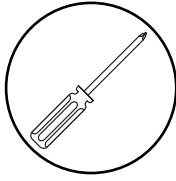
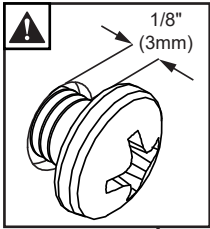


4a-3

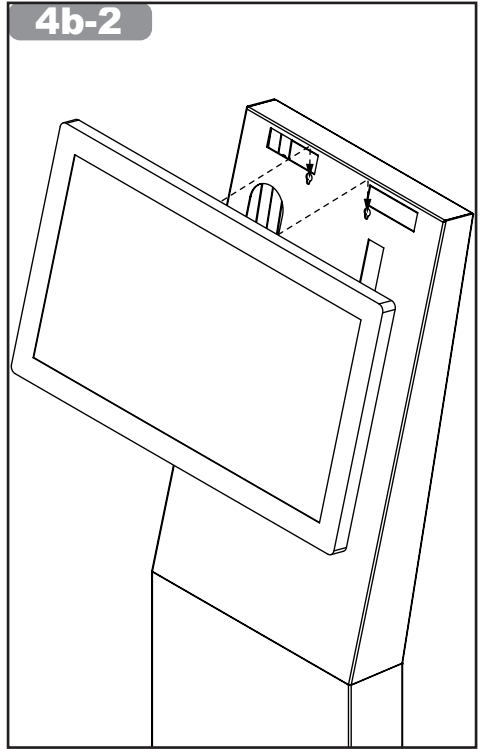
ENG Tighten.



4b-1

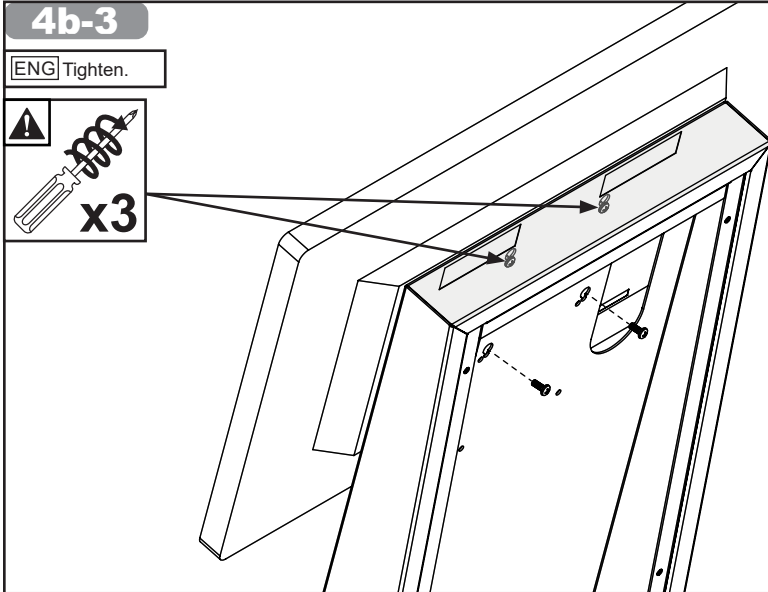
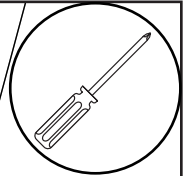


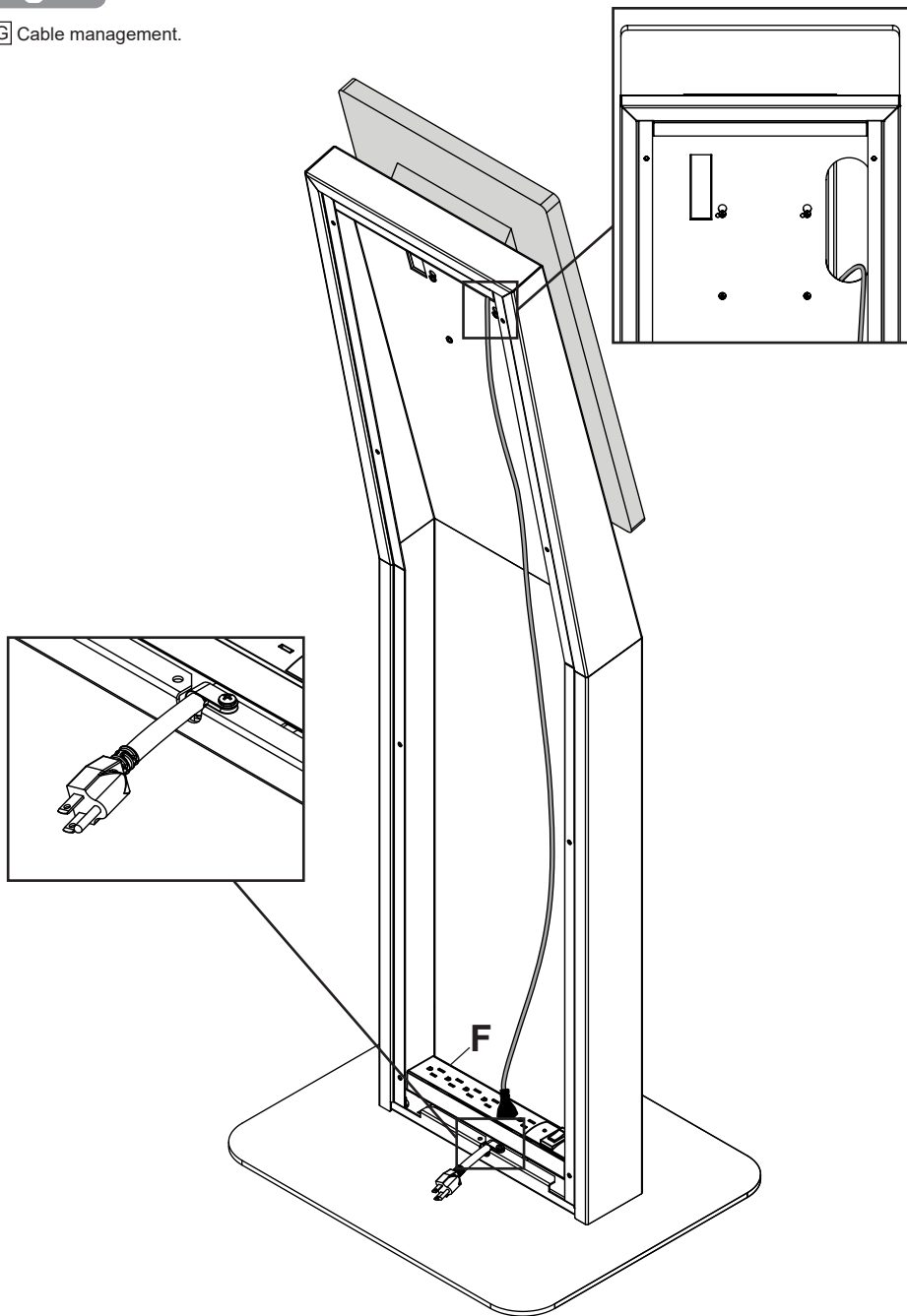
4b-2



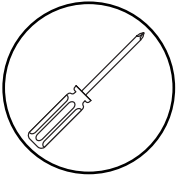
4b-3

ENG Tighten.

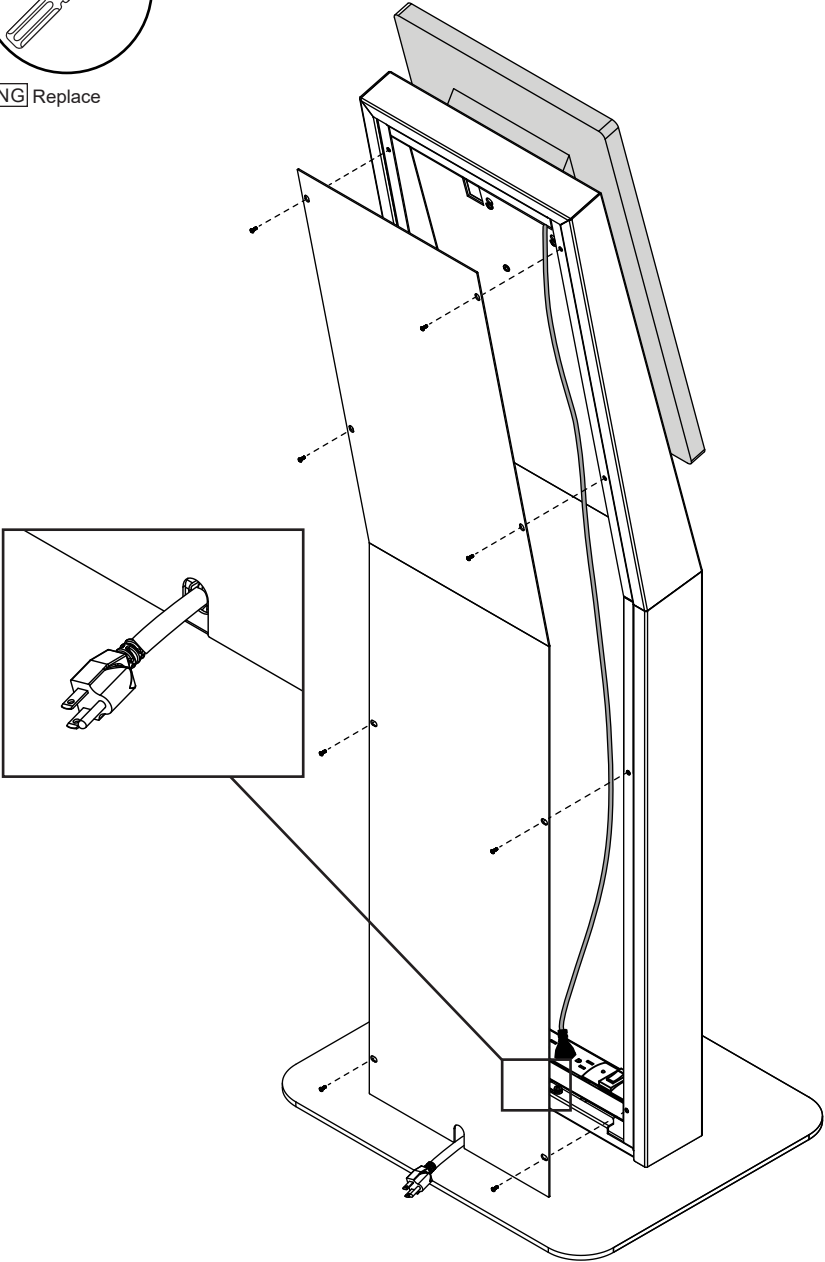




6



ENG Replace



ENG Warranty
ITL Garanzia

ESP Garantía
ČES Záruka

FRN Garantie
SLK Záruka

DEU Garantie
POR

NEL Garantie
TÜR Garanti

www.peerless-av.com/warranty

peerless-AV[®]

Peerless-AV

2300 White Oak Circle
Aurora, IL 60502
Email: tech@peerlessmounts.com
Ph: (800) 865-2112
Fax: (800) 359-6500
www.peerless-av.com

© 2021, Peerless Industries, Inc.

Peerless-AV Europe

Unit 3 Watford Interchange,
Colonial Way, Watford, Herts,
WD24 4WP, United Kingdom
Customer Care
44 (0) 1923 200 100
www.peerless-av.com

© 2021, Peerless Industries, Inc.

Peerless-AV América Latina

Av. de las Industrias 413
Parque Industrial Escobedo
General Escobedo N.L., México 66062
Servicio al Cliente
01-800-849-65-77
www.peerless-av.com

© 2021, Peerless Industries, Inc.