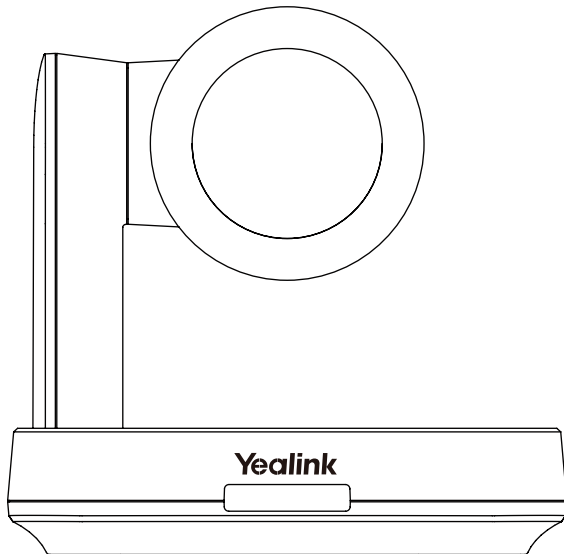


# Yealink

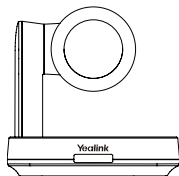
## Video Conferencing Camera UVC84



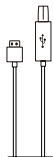
English | 简体中文

Quick Start Guide(V1.1)

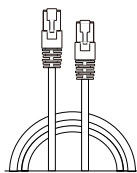
# Package Contents



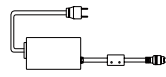
UVC84



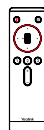
2.5m  
USB Cable



7.5m  
Ethernet Cable



Power Adapter  
48V/0.7A



VCR20  
Remote Control



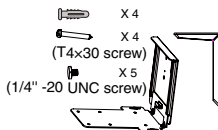
AAA  
Battery x2



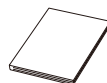
Velcro  
(on the bracket)



Cable Ties x 5



Mounting Bracket  
and Accessories



UVC84  
Quick Start Guide

💡 We recommend that you use the accessories provided or approved by Yealink. The use of unapproved third-party accessories may result in poor performance.

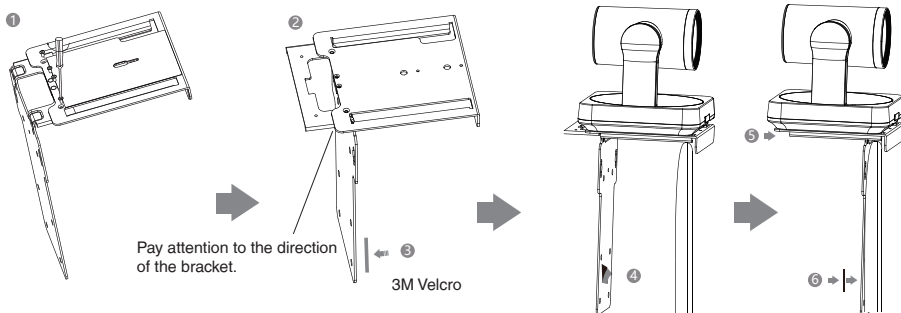
## UVC84 Installation

### • Put on a Flat Surface

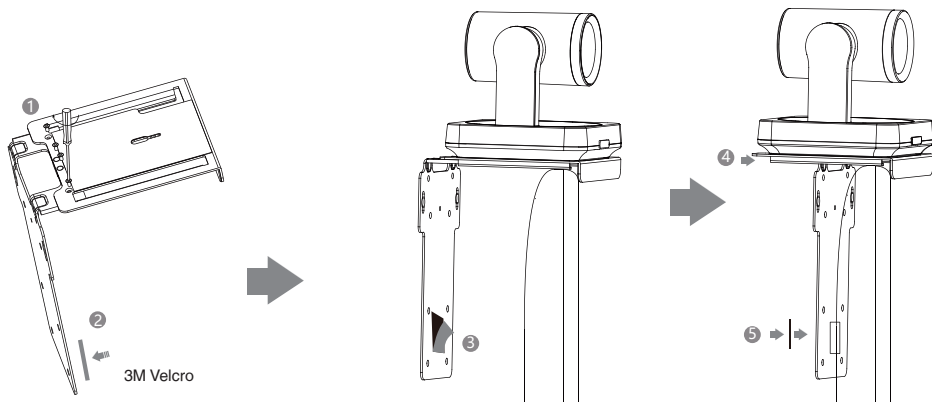
You can put the UVC84 on the conference table, and make sure that the angle of inclination of the UVC84 is not more than 5 degrees to ensure proper operation.

### • Mount on top of a display

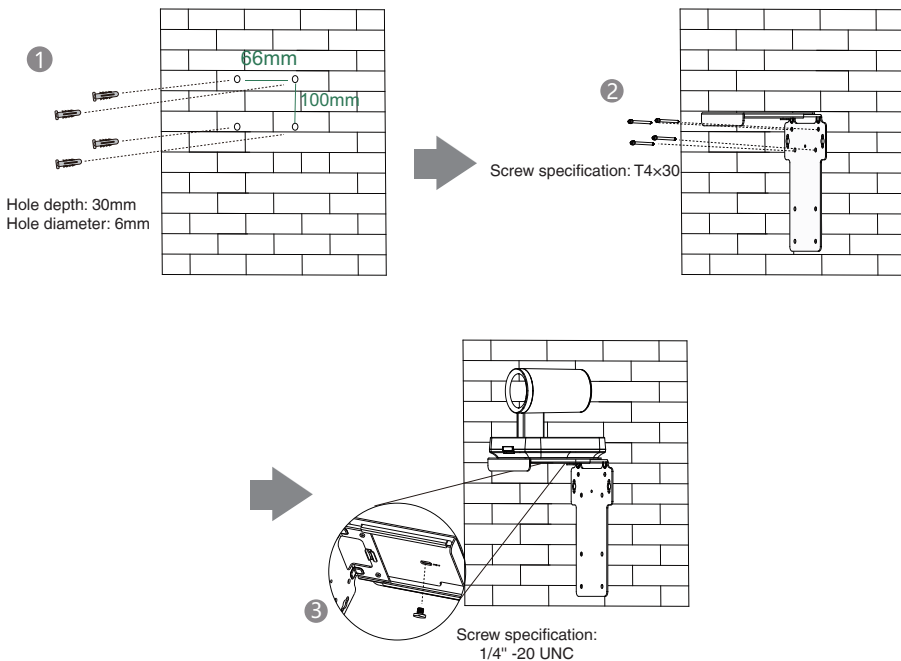
Choose the following installation method when the thickness of the TV is between 0mm and 50mm.



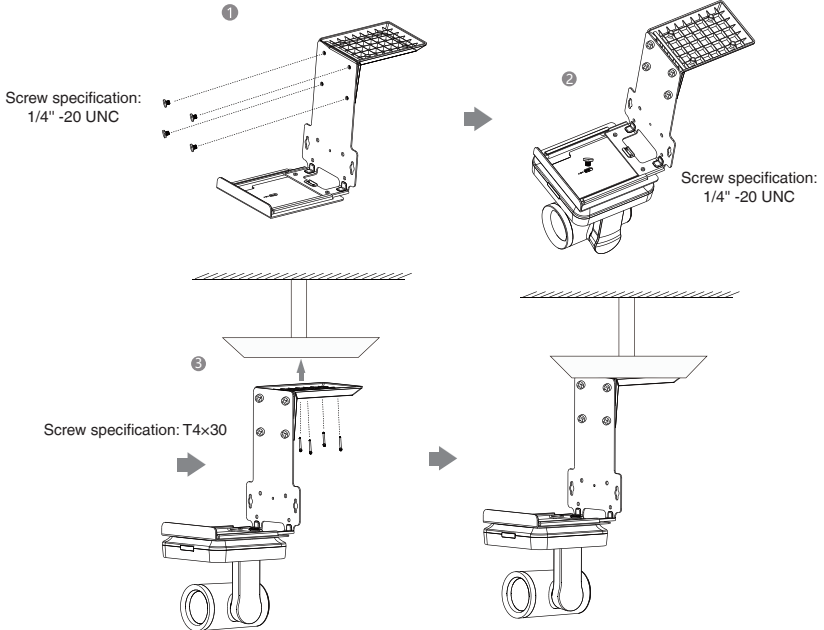
Choose the following installation method when the thickness of the TV is between 50mm and 150mm.



### • Mount on the Wall

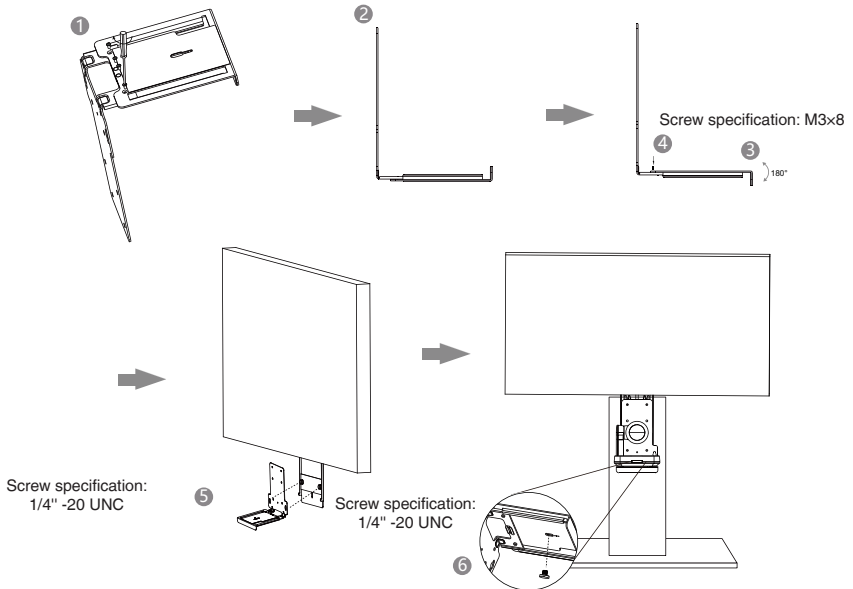


• **Mount on the Ceiling**

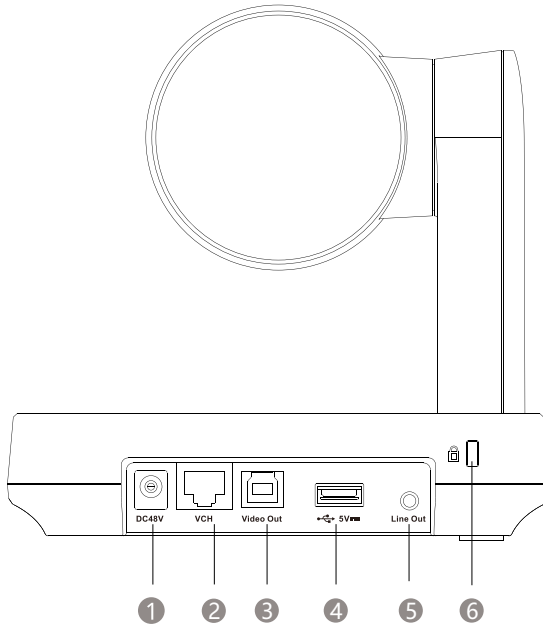


• **Mount onto a TV Mount2**

You need to purchase a TV Mount2 separately.



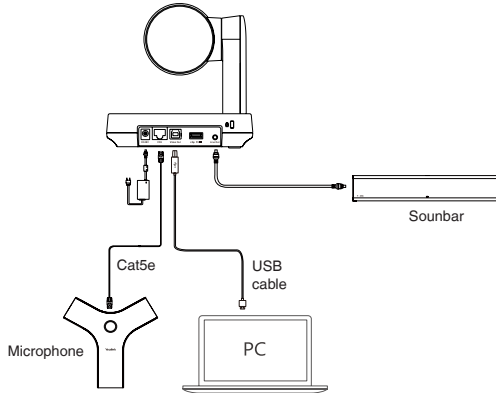
# Hardware Interface Instructions



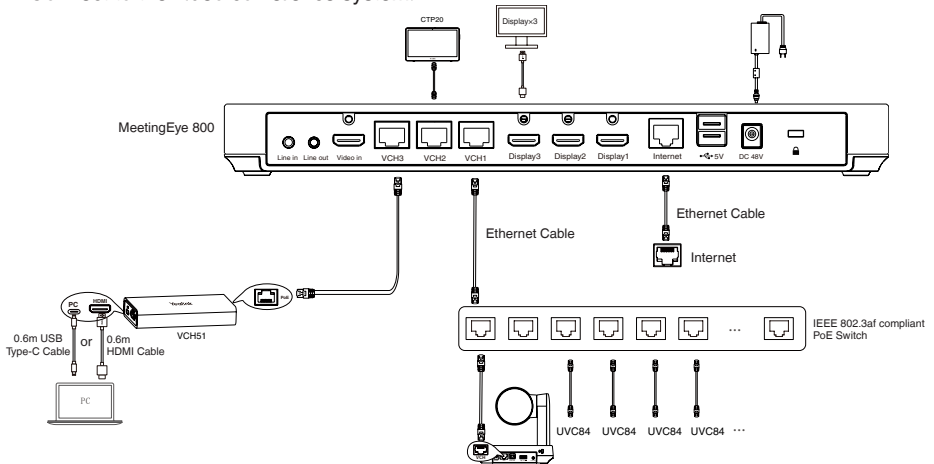
- 1 DC48V: connect to the power adapter.
- 2 In MVC system, connect to audio device (for example: VCM34).  
In video conference system, connect to the endpoint (for example: MeetingEye 800).
- 3 Video Out: connect to a PC as video output.
- 4 USB Port: insert DD10 to connect to CPW90.
- 5 Line Out: connect to an audio output device using an audio cable (3.5mm).
- 6 Security slot: connect a universal security cable to the UVC84 so that you can lock the UVC84 down.

# UVC84 Connection

- Connect to PC:



- Connect to the video conference system:

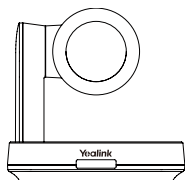


# LED Indicator Instructions

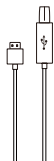
LED indicators on the UVC84:

LED Status	Description
Off	The UVC84 is powered off.
Solid green	The UVC84 is active.
Solid red	The UVC84 is in sleep mode.
Flashing yellow	The UVC84 is upgrading firmware.
Flashing red	The UVC84 is in recovery mode.

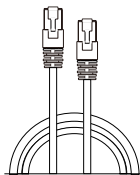
# 包装清单



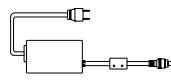
UVC84



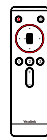
2.5 米  
USB 线



7.5 米  
以太网线



电源适配器  
(48V/0.7A)



VCR20  
遥控器



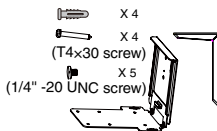
7 号电池 × 2



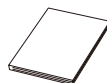
魔术贴  
(已粘在挂架上)



束线带 × 5



支架配件



UVC84  
快速入门指南



我们推荐使用由亿联提供或经亿联认可的配件，使用未经认可的第三方配件可能会导致性能下降。

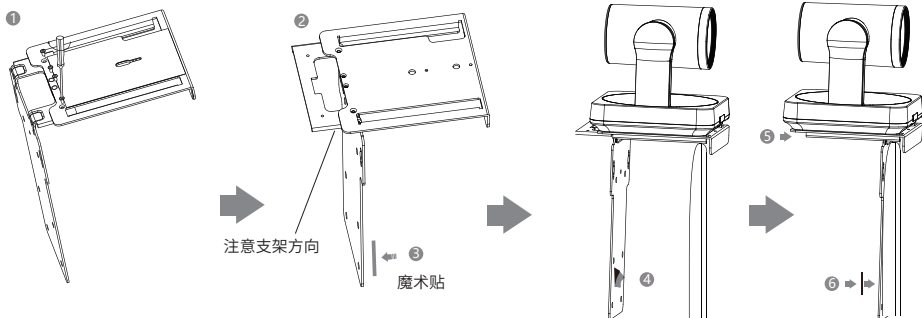
# 安装 UVC84

## · 平放安装

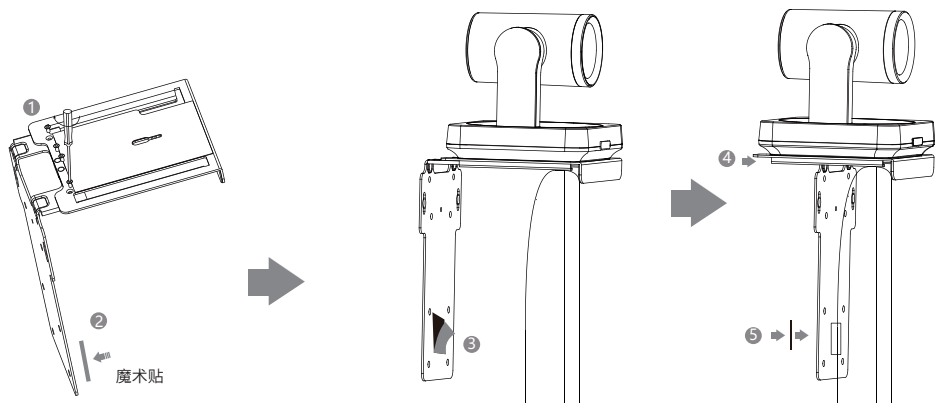
将终端摆放在水平桌面。如果桌面略有倾斜，请保证倾斜角小于  $5^\circ$ ，以保证终端的摄像机云台正常运转。

## · 挂装

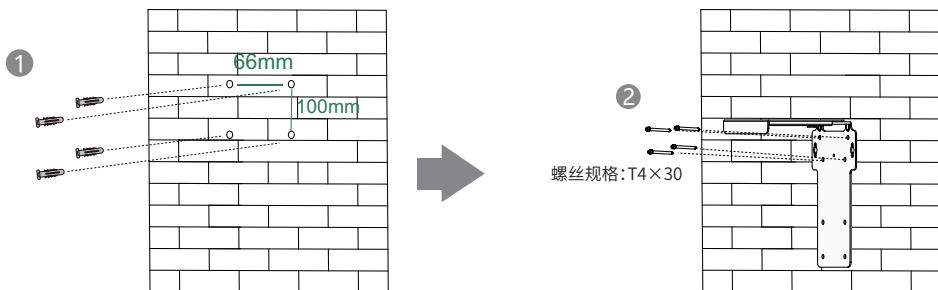
当电视厚度范围为 0-50mm 时，进行以下步骤：



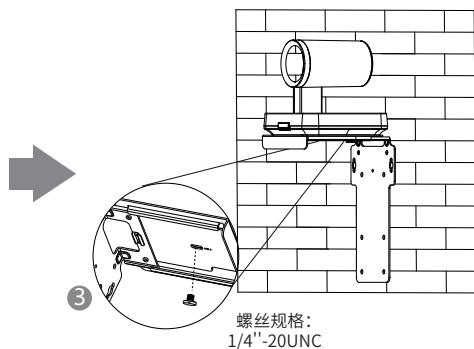
当电视厚度范围为 50-150mm 时, 进行以下步骤:



## 墙装

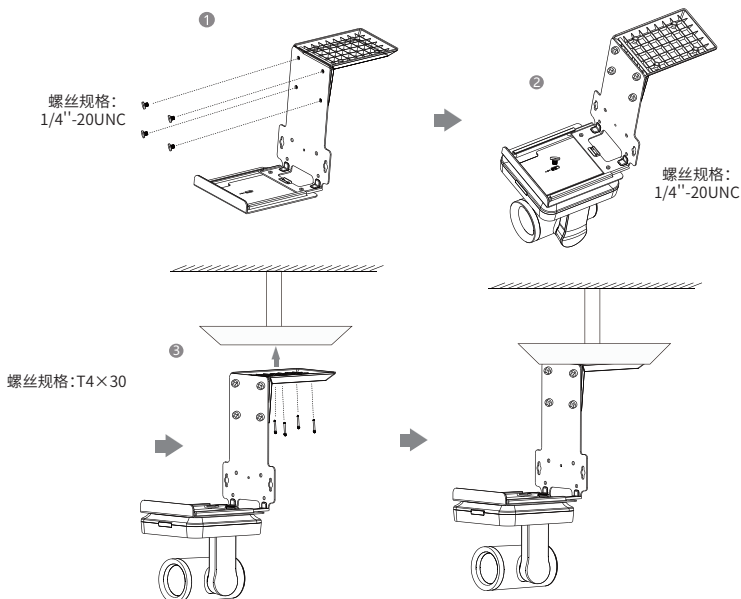


打孔深度 30mm  
打孔直径 6mm



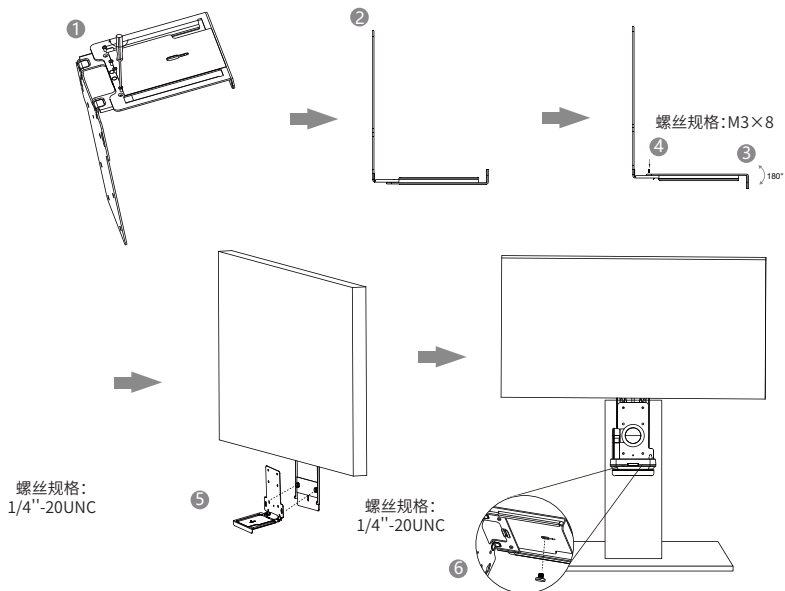


## · 吊装

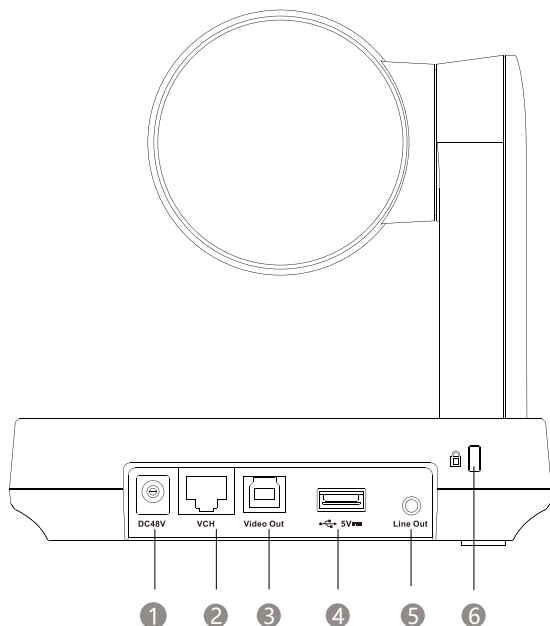


## · 电视架安装

用户可以自行选购电视架。



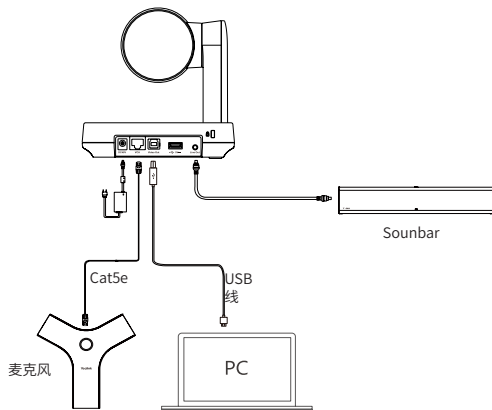
## 硬件接口介绍



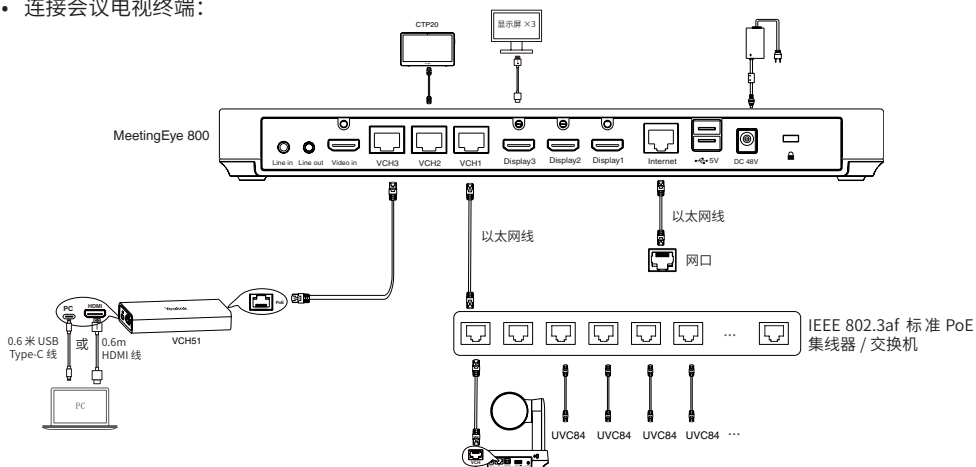
- 1 电源接口：连接电源适配器。
- 2 在 MVC 系统中，连接音频设备（例如：VCM34）。  
在视频会议系统中，连接终端（例如：MeetingEye 800）。
- 3 视频输出：连接电脑作为视频输出。
- 4 USB：预留。
- 5 音频线性输出：使用 3.5mm 音频接头线连接。
- 6 安全锁孔：将主机锁在固定位置。

## 连接 UVC84

- 连接电脑：



- 连接会议电视终端：



## 指示灯介绍

UVC84 指示灯介绍如下：

指示灯状态	说明
关闭	UVC84 没有正确连接到 PC 上或未处于正常工作状态。
绿灯常亮	UVC84 处于正常工作状态。
红灯常亮	UVC84 处于休眠状态。
橙灯闪烁	UVC84 固件更新中。
红灯闪烁	UVC84 处于恢复模式。

## Regulatory Notices

### Operating Ambient Temperatures


- Operating temperature: +32 to 104°F (0 to 40°C)
- Relative humidity: 5% to 90%, noncondensing
- Storage temperature: -22 to +160°F (-30 to +70°C)

### Warranty

Our product warranty is limited only to the unit itself, when used normally in accordance with the operating instructions and the system environment. We are not liable for damage or loss resulting from the use of this product, or for any claim from a third party. We are not liable for problems with Yealink device arising from the use of this product; we are not liable for financial damages, lost profits, claims from third parties, etc., arising from the use of this product.

### Explanation of the symbols

- DC symbol
- is the DC voltage symbol.
- WEEE Warning symbol

 To avoid the potential effects on the environment and human health as a result of the presence of hazardous substances in electrical and electronic equipment, end users of electrical and electronic equipment should understand the meaning of the crossed-out wheeled bin symbol. Do not dispose of WEEE as unsorted municipal waste and have to collect such WEEE separately.

### Restriction of Hazardous Substances Directive (RoHS)

This device complies with the requirements of the EU RoHS Directive. Statements of compliance can be obtained by contacting support@yealink.com.

### Safety Instructions

Save these instructions. Read these safety instructions before use!

#### General Requirements

- Before you install and use the device, read the safety instructions carefully and observe the situation during operation.
- During the process of storage, transportation, and operation, please always keep the device dry and clean, avoid collision and crash.
- Please attempt not to dismantle the device by yourself. In case of any discrepancy, please contact the appointed maintenance center for repair.
- Please refer to the relevant laws and statutes while using the device. Legal rights of others should be respected as well.

#### Environmental Requirements

- Place the device at a well-ventilated place. Do not expose the device under direct sunlight.
- Keep the device dry and free of dusts.
- Do not place the device on or near any inflammable or fire-vulnerable object, such as rubber-made materials.
- Keep the device away from any heat source or bare fire, such as a candle or an electric heater.

#### Operating Requirements

- Do not let a child operate the device without guidance.
- Do not let a child play with the device or any accessory in case of accidental swallowing.
- Please use the accessories provided or authorized by the manufacturer only.
- The power supply of the device shall meet the requirements of the input voltage of the device. Please use the provided surge protection power socket only.
- Before plugging or unplugging any cable, make sure that your hands are completely dry.
- Do not spill liquid of any kind on the product or use the equipment near water, for example, near a bathtub, washbowl, kitchen sink, wet basement or near a swimming pool.
- During a thunderstorm, stop using the device and disconnect it from the power supply. Unplug the power plug and the Asymmetric Digital Subscriber Line (ADSL) twisted pair (the radio frequency cable) to avoid lightning strike.
- If the device is left unused for a rather long time, disconnect it from the power supply and unplug the power plug.

### About Yealink

Yealink (Stock Code: 300628) is a global brand that specializes in video conferencing, voice communications and collaboration solutions with best-in-class quality, innovative technology and user-friendly experience. As one of the best providers in more than 140 countries and regions, Yealink ranks No.1 in the global market share of SIP phone shipments (Global IP Desktop Phone Growth Excellence Leadership Award Report, Frost & Sullivan, 2019).

### Technical Support

Visit Yealink WIKI (<http://support.yealink.com/>) for firmware downloads, product documents, FAQ, and more. For better service, we sincerely recommend you to use Yealink Ticketing system (<https://ticket.yealink.com/>) to submit all your technical issues.

- When there is smoke emitted from the device, or some abnormal noise or smell, disconnect the device from the power supply, and unplug the power plug immediately.
- Contact the specified maintenance center for repair.
- Do not insert any object into equipment slots that is not part of the product or auxiliary product.
- Before connecting a cable, connect the grounding cable of the device first. Do not disconnect the grounding cable until you disconnect all other cables.

#### Cleaning Requirements

- Before cleaning the device, disconnect it from the power supply.
- Use a piece of soft, dry and anti-static cloth to clean the device.
- Keep the power plug clean and dry.

#### Troubleshooting

The unit cannot supply power to Yealink device.

There is a bad connection with the plug.

1. Clean the plug with a dry cloth.
  2. Connect it to another wall outlet.
- The usage environment is out of operating temperature range.
1. Use in the operating temperature range.

The cable between the unit and the Yealink device is connected incorrectly.

1. Connect the cable correctly.

You cannot connect the cable properly.

1. You may have connected a wrong Yealink device.

2. Use the correct power supply.

Some dust, etc., may be in the port.

1. Clean the port.

Contact your dealer or authorized service facility for any further questions.

#### FCC Statement

This device complies with part 15 of the FCC Rules. Operation is subject to the following two conditions: (1) this device may not cause harmful interference, and (2) this device must accept any interference received, including interference that may cause undesired operation.

Any Changes or modifications not expressly approved by the party responsible for compliance could void the user's authority to operate the equipment.

#### IC Statement

1. This device complies with Industry Canada's licence-exempt RSSs. Operation is subject to the following two conditions:

(1) this device may not cause interference; and

(2) this device must accept any interference, including interference that may cause undesired operation of the device. CAN ICES-3(B)

Le présent appareil est conforme aux CNR d'Industrie Canada applicables aux appareils radio exempts de licence. L'exploitation est autorisée aux deux conditions suivantes :

(1) l'appareil ne doit pas produire de brouillage;

(2) l'utilisateur de l'appareil doit accepter tout brouillage radioélectrique subi, même si le brouillage est susceptible d'en compromettre le fonctionnement. NMB-3(B)

2. This device meets CS03 Part V.

"This device meets the applicable Innovation, Science and Economic Development Canada technical specifications. / Ce produit répond à la innovation, des sciences et de Développement économique Canada spécifications techniques applicables."

#### Contact Information

YEALINK NETWORK TECHNOLOGY CO., LTD.

309, 3rd Floor, No.16, Yun Ding North Road, Huli District, Xiamen City, Fujian, P.R.C

YEALINK (EUROPE) NETWORK TECHNOLOGY B.V.

Strawinskylaan 3127, Atrium Building, 8th floor, 1077ZX Amsterdam, The Netherlands

YEALINK (USA) NETWORK TECHNOLOGY CO., LTD.

999 Peachtree Street Suite 2300, Fulton, Atlanta, GA, 30309, USA

Made in China



YEALINK(XIAMEN) NETWORK TECHNOLOGY CO., LTD.

Web: [www.yealink.com](http://www.yealink.com)

Addr: No.1 Ling-Xia North Road, High Tech Park,

Huli District, Xiamen, Fujian, P.R.C

Copyright©2021 Yealink Inc. All rights reserved.