

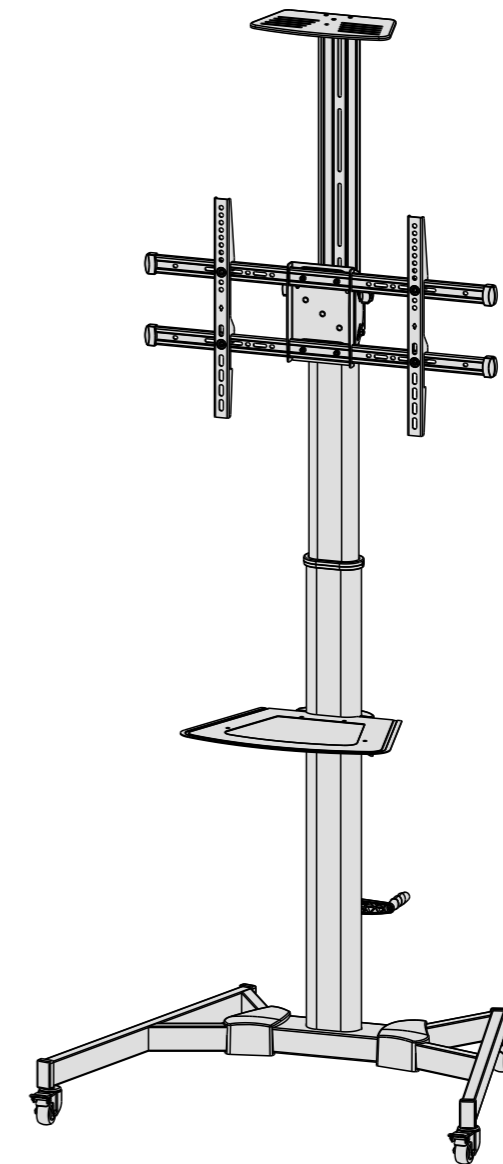


PureLink GmbH
 Von-Liebig-Straße 10
 48432 Rheine
 Germany

TV Floor Cart and Accessories



CAUTION: DO NOT EXCEED RATED LISTED WEIGHT. SERIOUS INJURY OR PROPERTY DAMAGE MAY OCCUR!



PureLink GmbH
 Von-Liebig-Str. 10 | 48432 Rheine | Germany
 Phone: +49 (0) 5971 800 299 0

PureLink GmbH hereby declares that this product complies with Directive 1907/2006/EU and 2011/65/EU.

INSTALLATION MANUAL

PM-CART-70CB



200x200/400x200
 300x300/400x400
 600x400



rated for TV
 50kg/110lbs

rated for DVD
 5kg/11lbs

rated for CAMERA
 5kg/11lbs

NOTE: Read the entire instruction manual before you start installation and assembly.

⚠ WARNING

- Do not begin the installation until you have read and understood all the instructions and warnings contained in this installation sheet. If you have any questions regarding any of the instructions or warnings, please contact your local distributor.
- This mounting bracket was designed to be installed and utilised ONLY as specified in this manual. Improper installation of this product may cause damage or serious injury.
- This product should only be installed by someone with good mechanical ability who has basic building experience and fully understands this manual.
- Make sure that the supporting surface will safely support the combined weight of the equipment and all attached hardware and components.
- Always use an assistant or mechanical lifting equipment to safely lift and position the equipment.
- Tighten screws firmly, but do not over tighten. Over tightening can cause damage to the items, This greatly reduces their holding power.
- This product is intended for indoor use only. Using this product outdoors could lead to product failure and personal injury.

Required for Installation



Component Checklist

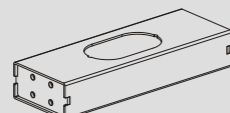
IMPORTANT: Ensure that you have received all parts according to the component checklist prior to installation. If any parts are missing or faulty, telephone your local distributor for a replacement.



left cover
A



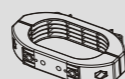
right cover
B



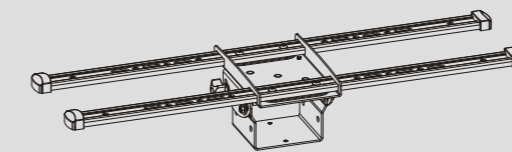
middle base
C



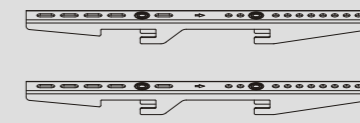
connecting plate
D



fastener
E



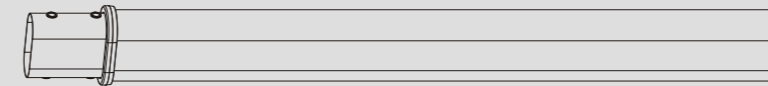
universal plate
F



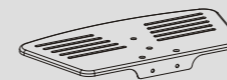
adapter bracket
G



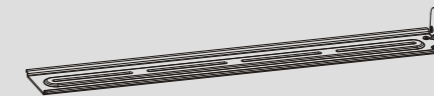
handle
H



column
I



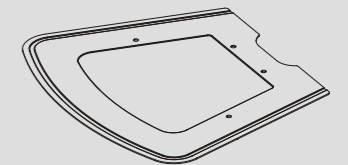
camera shelf
J



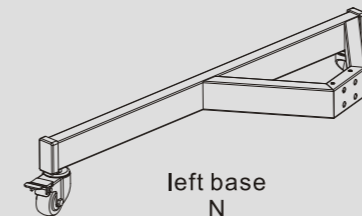
connecting plate
K



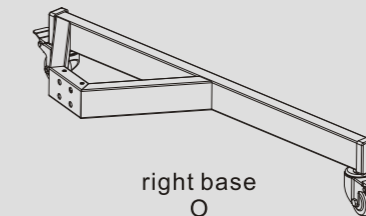
top cover
L



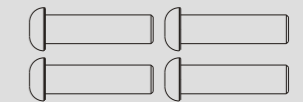
DVD shelf
M



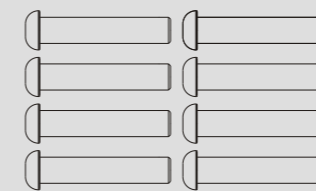
left base
N



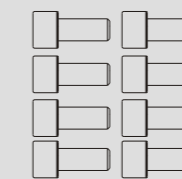
right base
O



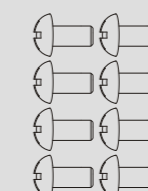
M8x30 (x4)
P



M8x40
Q



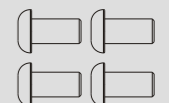
M6x14
R



M6x12
S



M6x10
T



M8x16
U



M4x6
V



M4x6
W



M5x25
X



D6 washer
Y

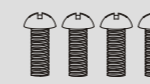


wrench
Z

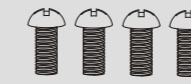


5mm Allen key
A1

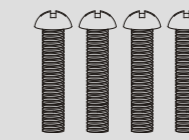
Package M



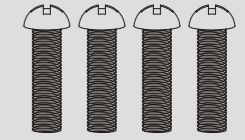
M5x14
M-A



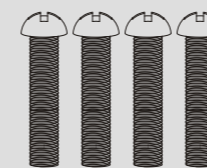
M6x14
M-B



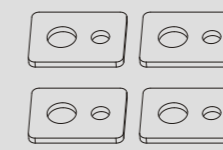
M6x30
M-C



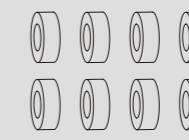
M8x30
M-D



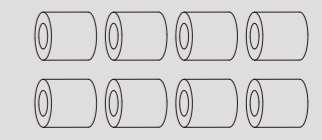
M8x50
M-E



washer
M-F

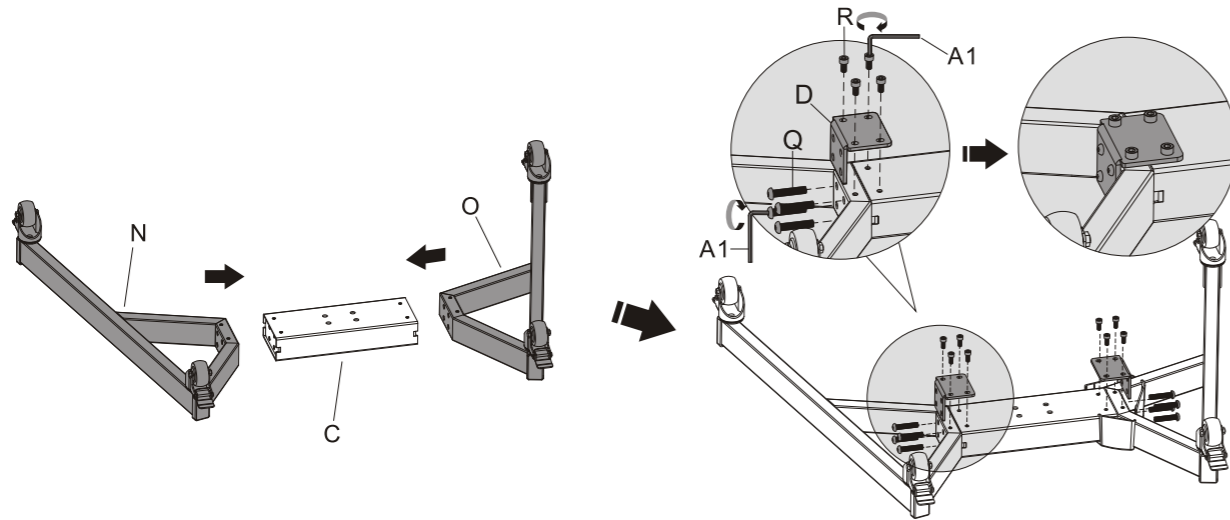


small spacer
M-G

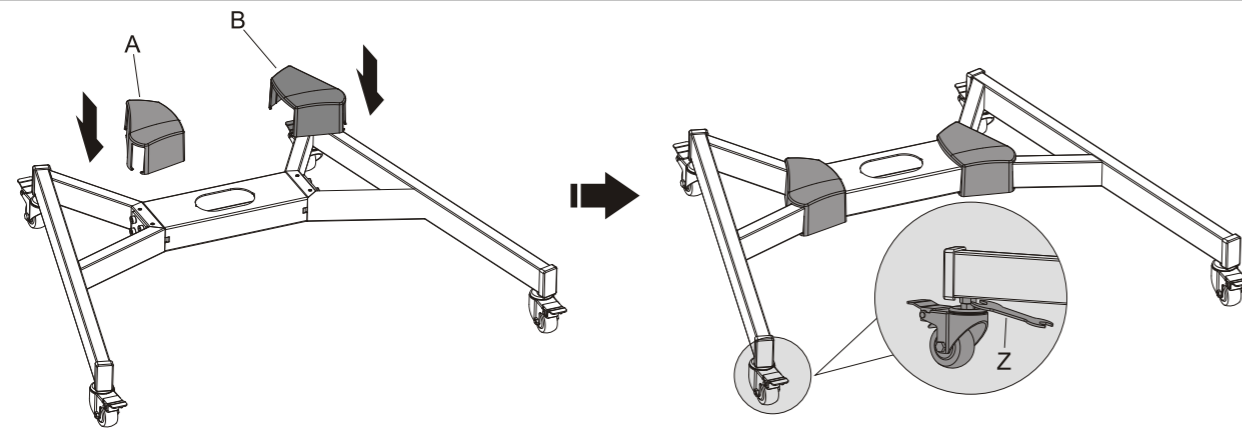


big spacer
M-H

1. Assembling the Base

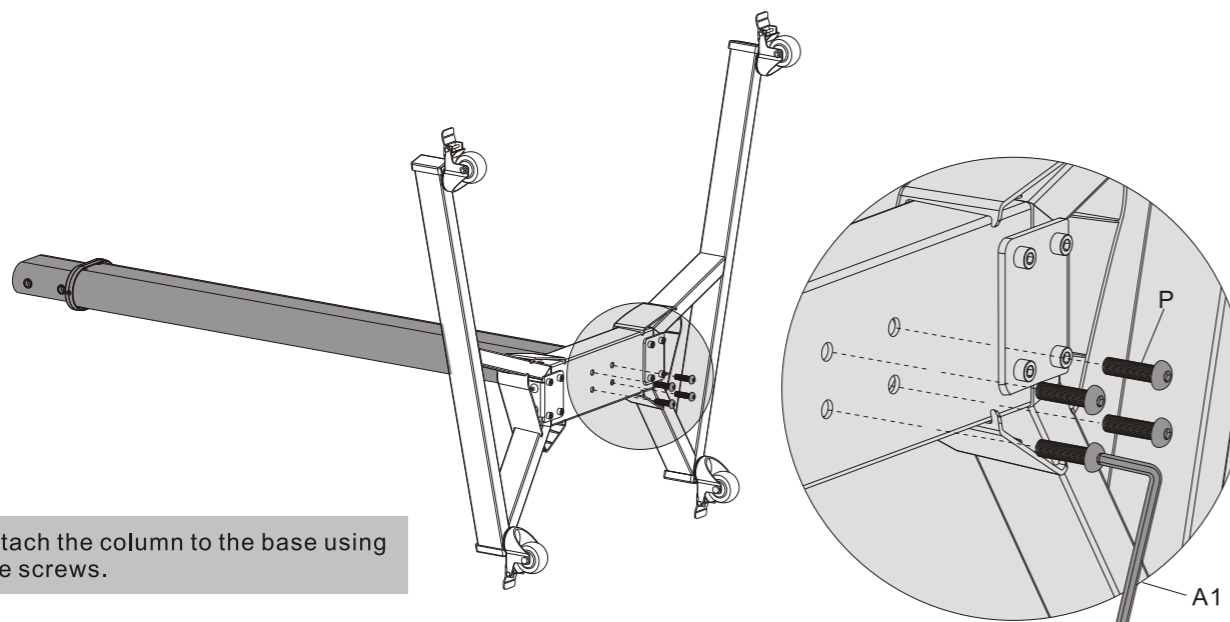


Insert the right base into the middle base. Align the holes in the right base to the holes in the middle base. Secure with the connecting plate and the screws. Repeat this step for the left base.



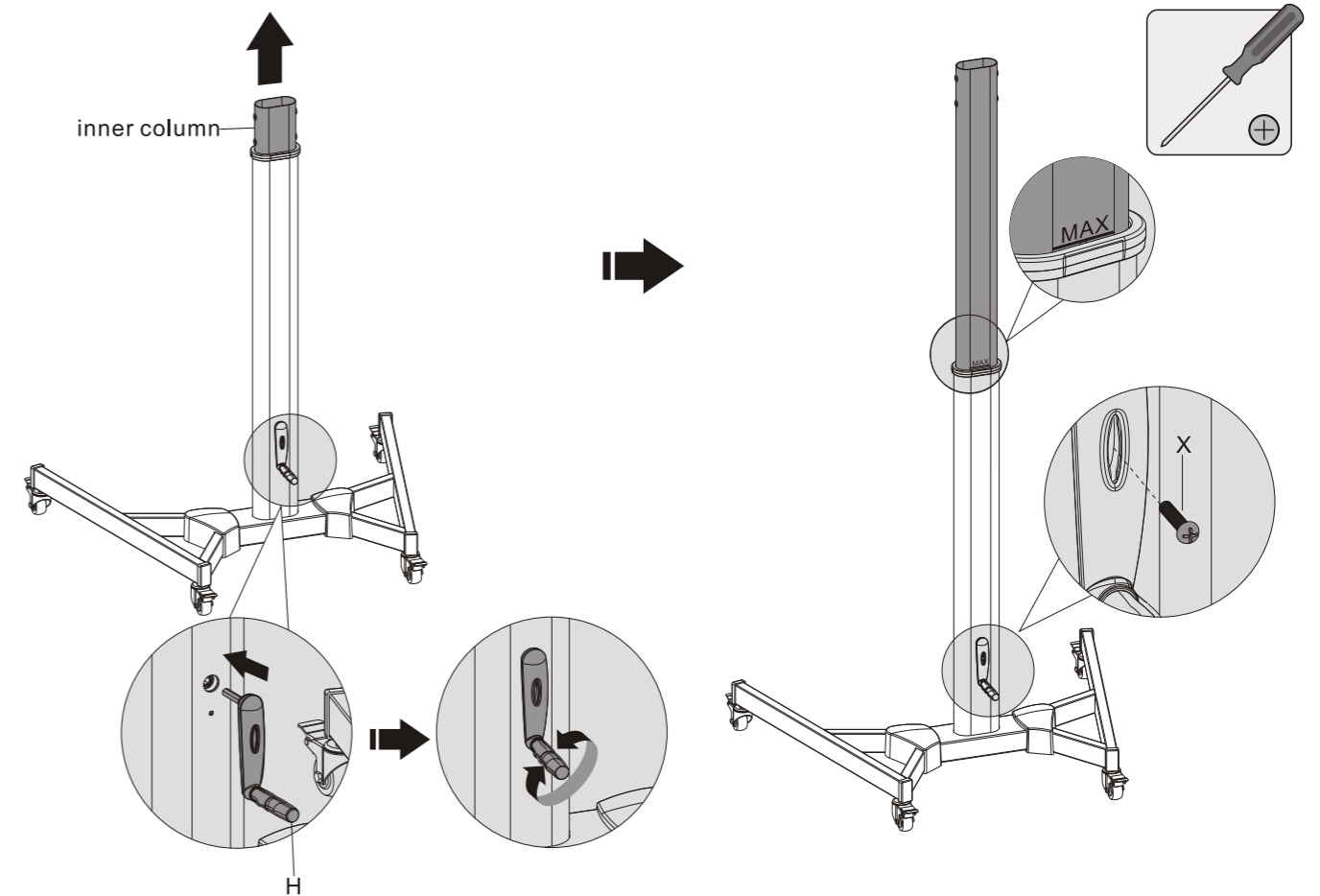
NOTE: Lock the brakes on the casters to avoid any sudden movements during installation. Each caster can be adjusted independently for fine tuning. Slightly turn the nut to lower or raise the base.

2. Attaching the Column to the Base



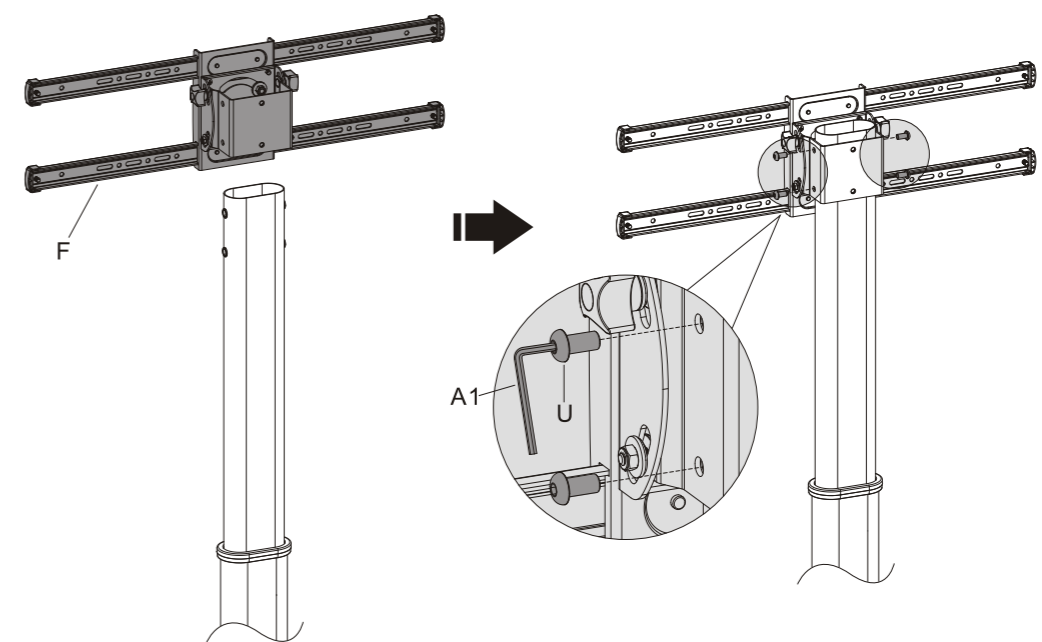
Attach the column to the base using the screws.

3. Adjusting the Column



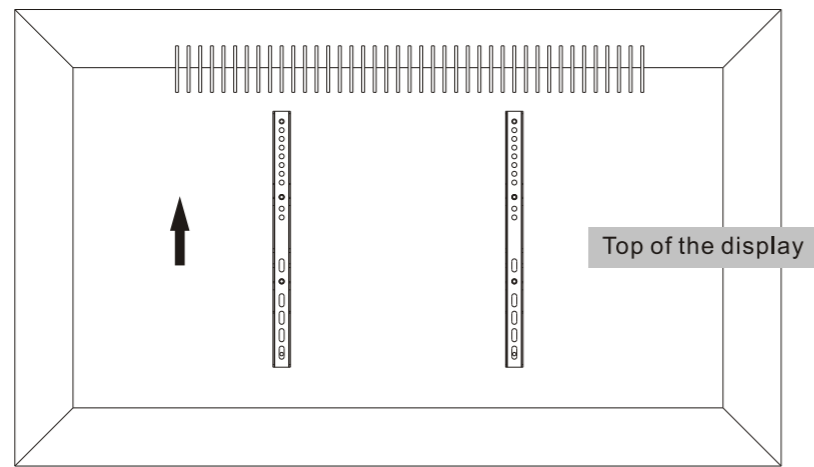
Turn the handle clockwise to raise the column.
Turn the handle anticlockwise to lower the column.
Use the handle to adjust the column to the desired height and secure using the appropriate screw.

4. Attaching the Universal Plate to the Column

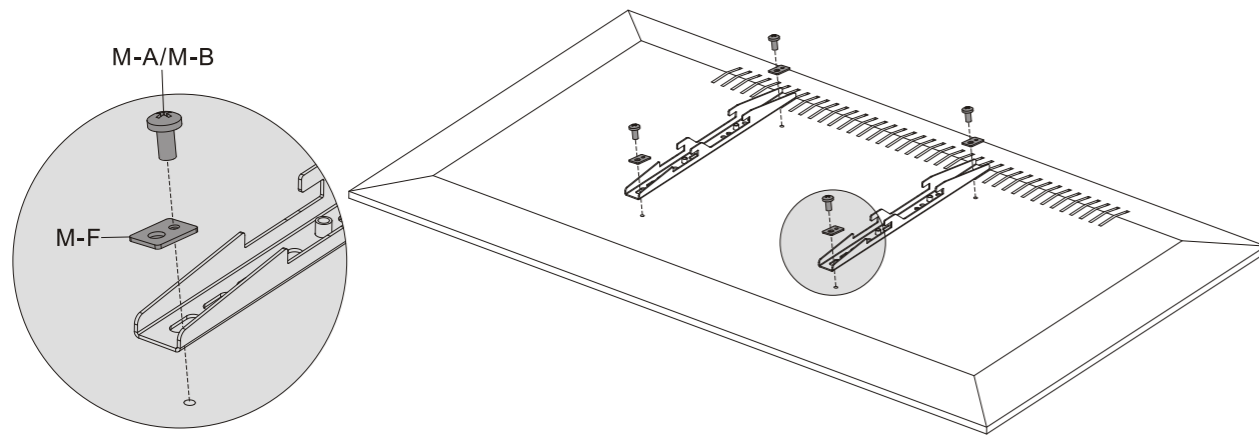
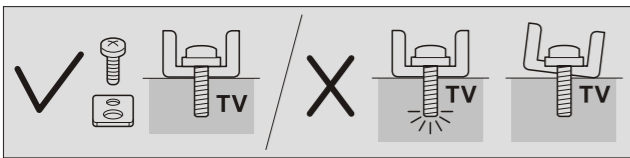


Attach the universal plate to the column using the appropriate screws.

5. Installing the Adapter Brackets

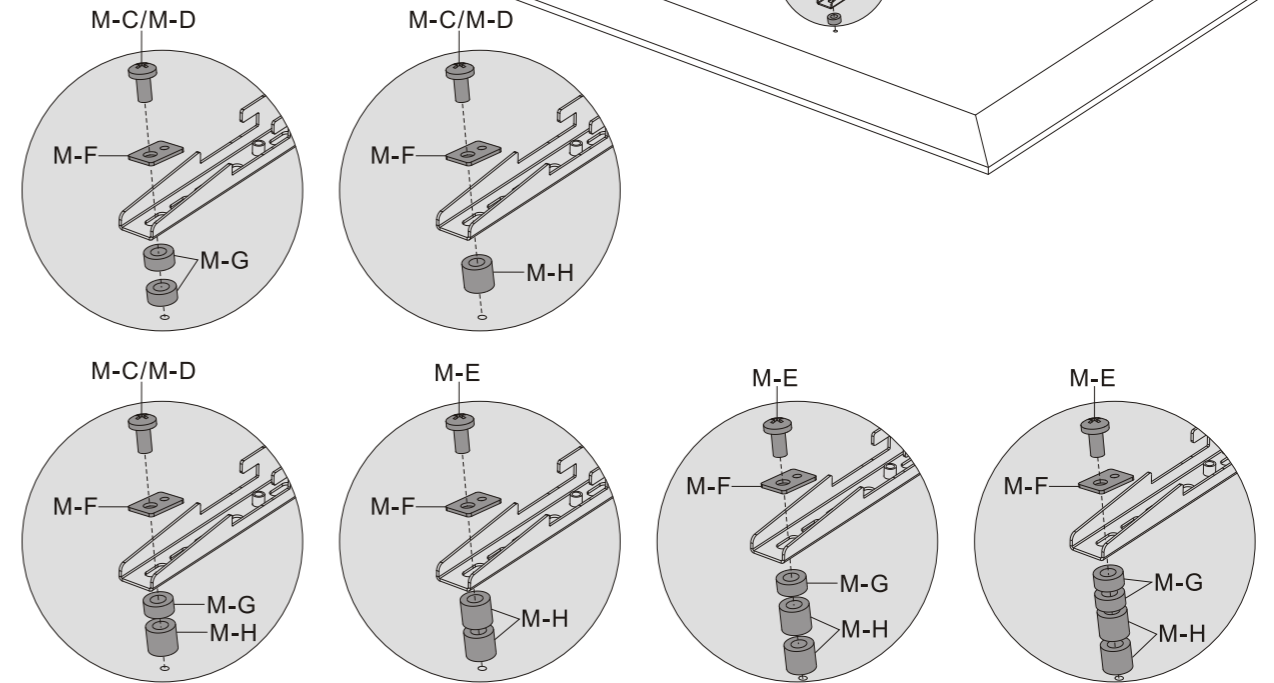
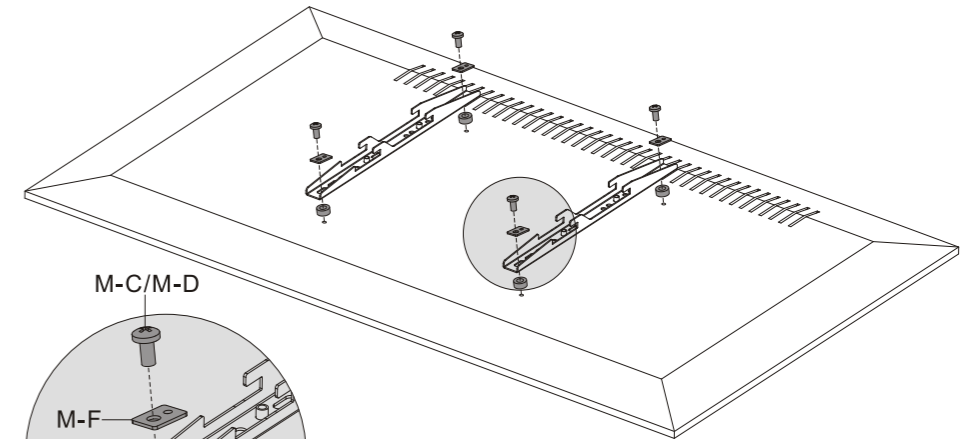
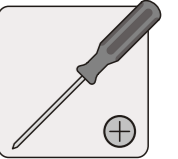
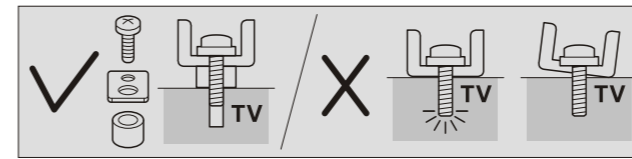


5a. For Flat Back Screens



M-A			
M-F			

5b. For Bump-out or Recessed Back Screens

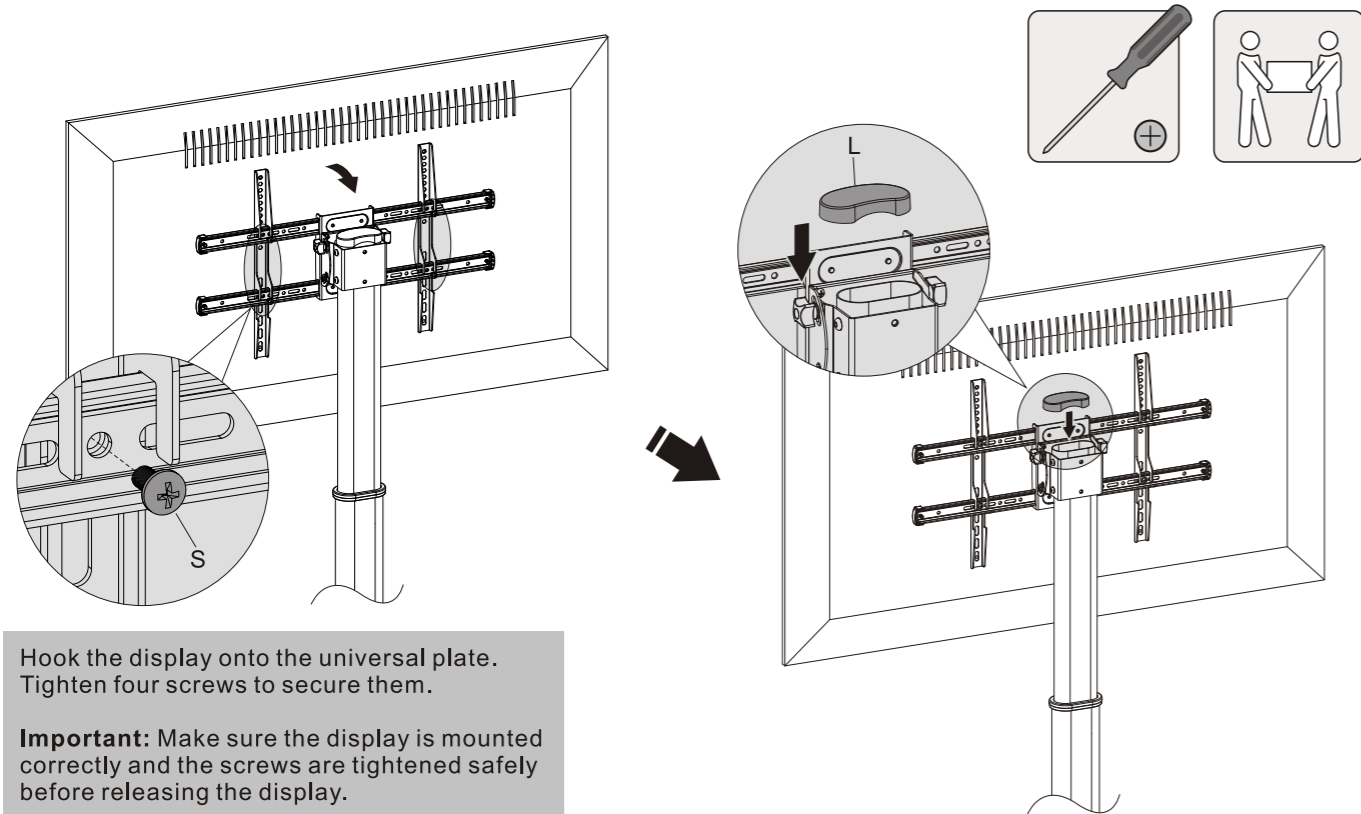


M-C			
M-E		M-F	
M-G		M-H	

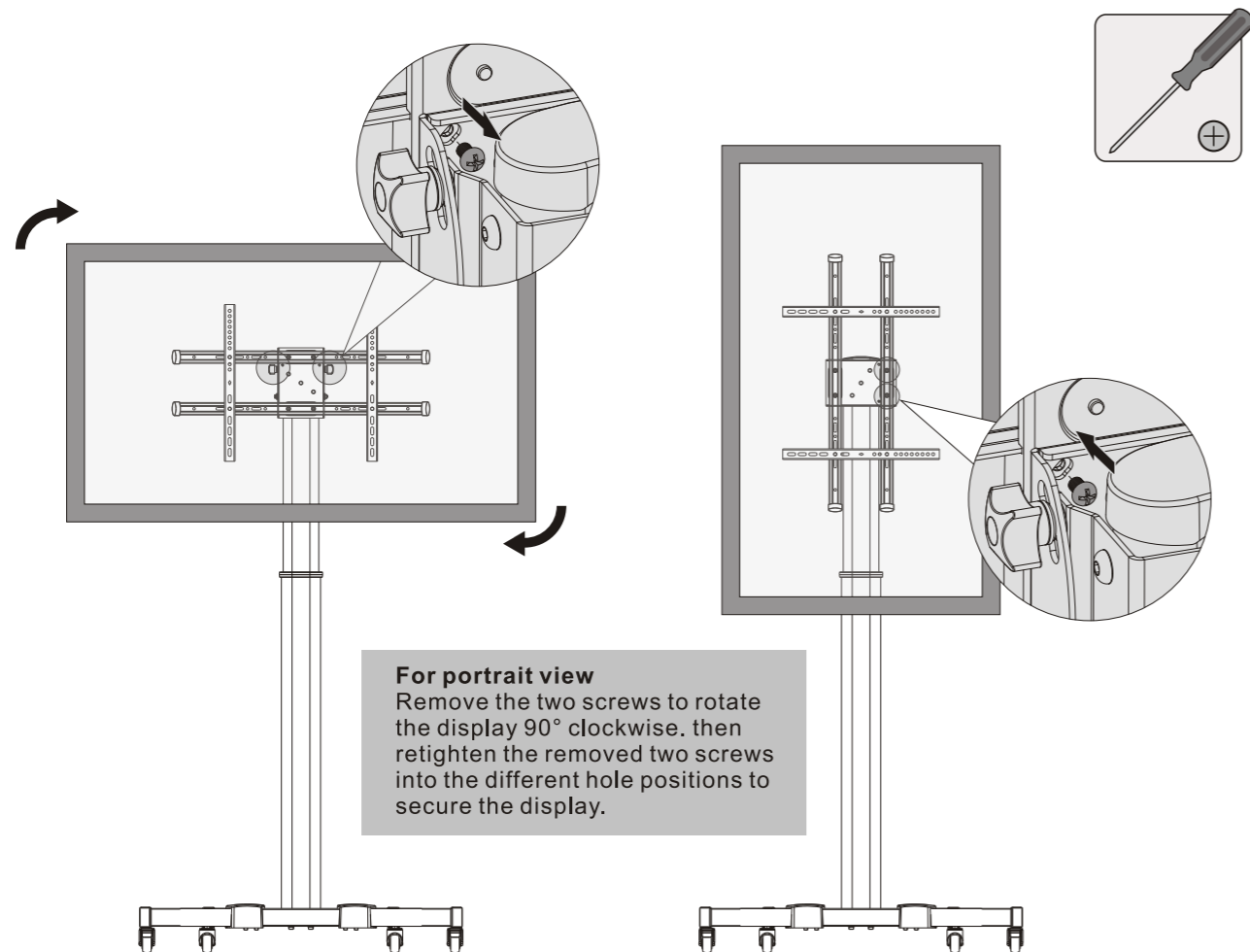
Note: Choose the appropriate screws, washers and spacers (if necessary) according to the type of screen.
 • Position the adapter brackets as close as possible to the center of the display.
 • Screw the adapter brackets onto the display.

Tighten all screws but do not over tighten.

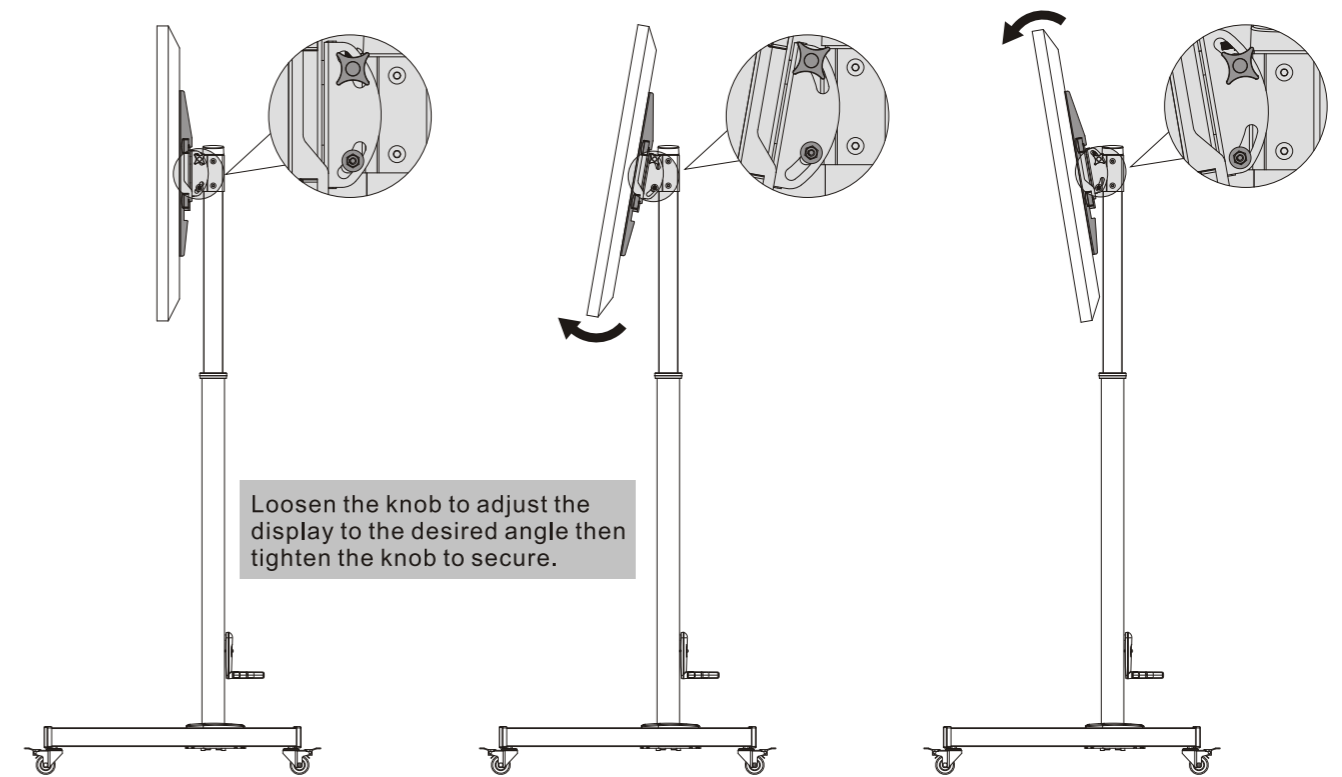
6. Hanging the Display onto the Universal Plate



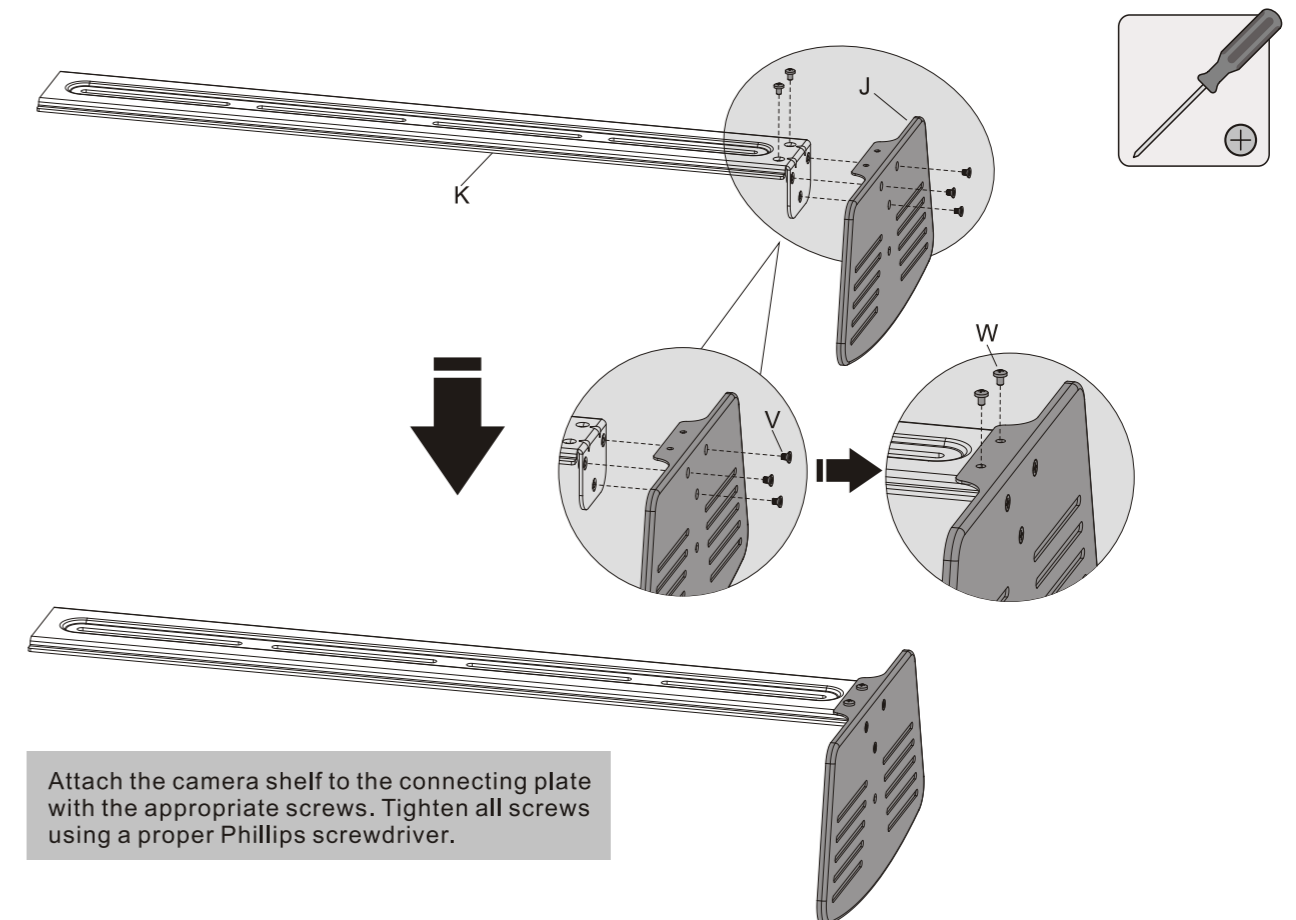
7. For Landscape or Portrait View



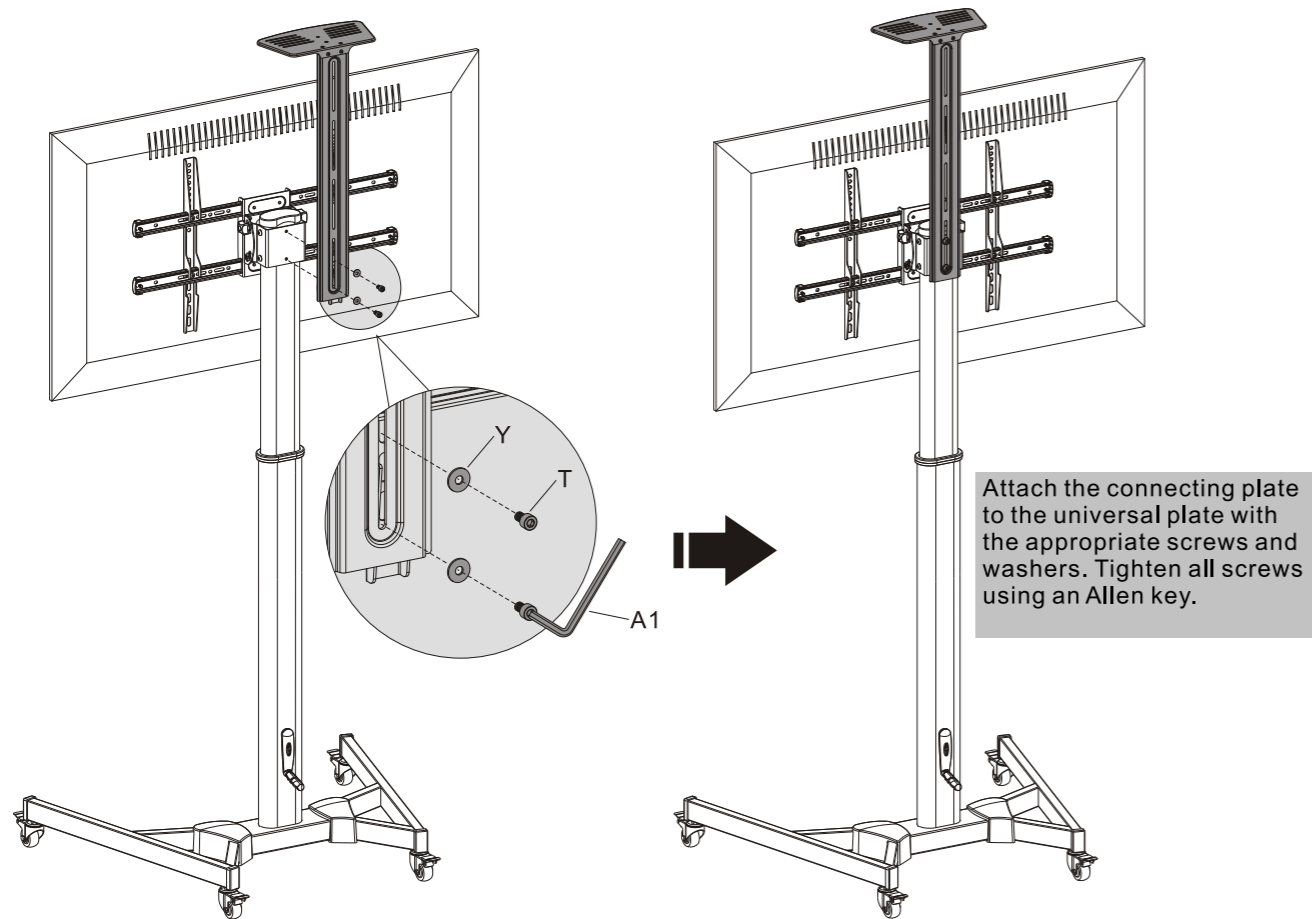
8. Angle Adjustment



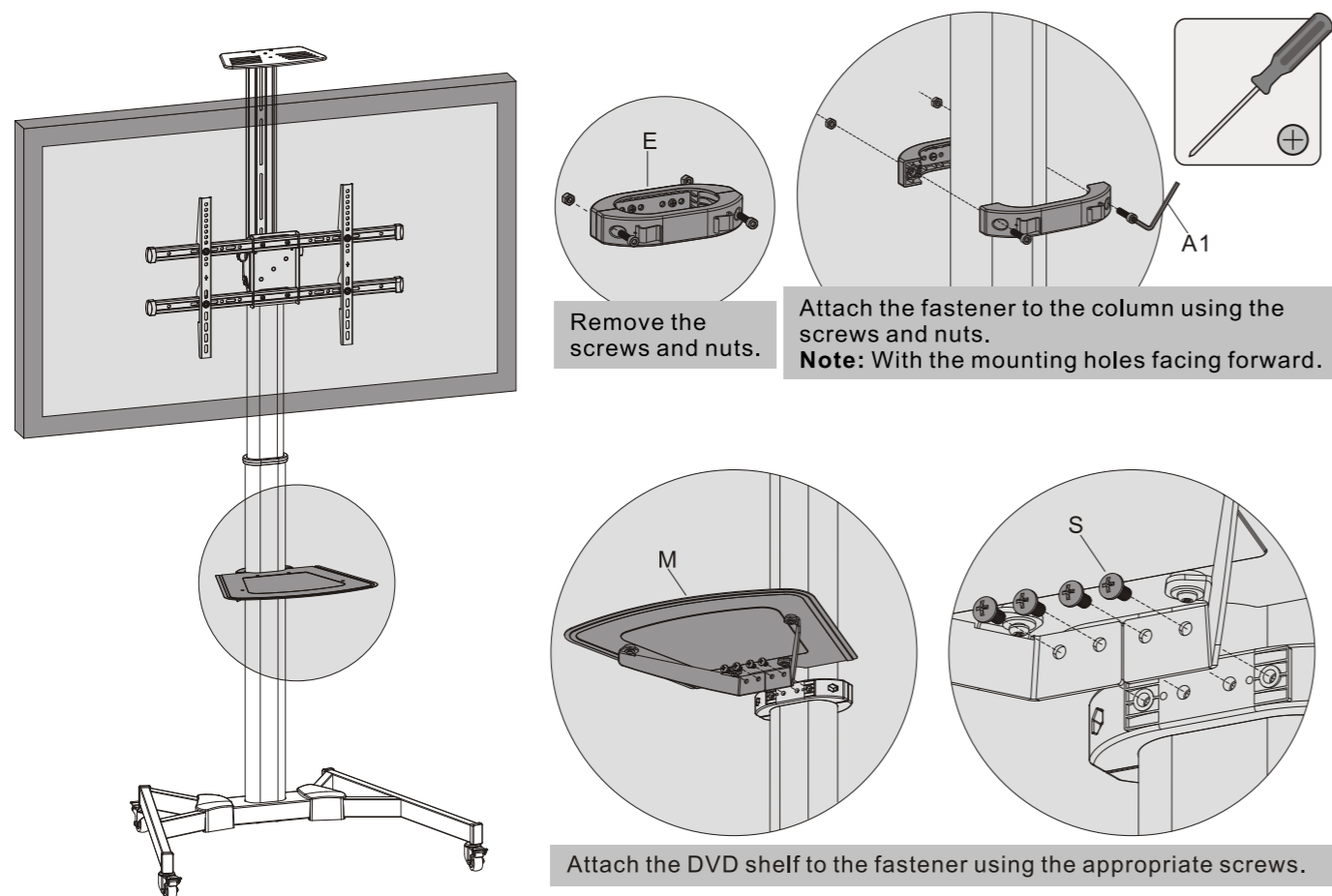
9. Installing the Camera Shelf



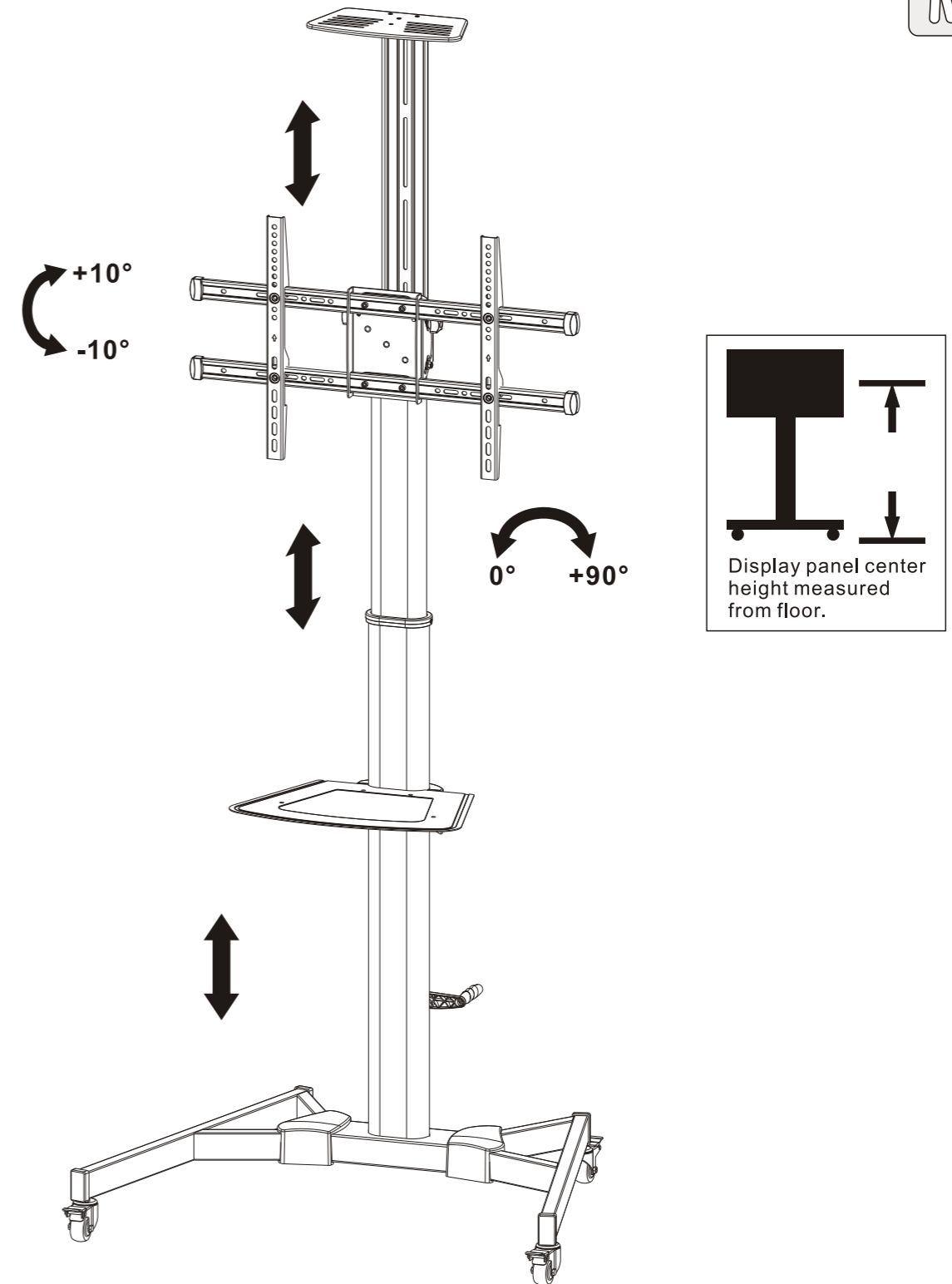
10. Installing the DVD Shelf



10. Installing the DVD Shelf



11. Adjustment



Note: It is recommended to adjust the column to the desired height before installing the display.

Maintenance

- Check that the bracket is secure and safe to use at regular intervals(at least every three months).
- Please contact your distributor if you have any questions.