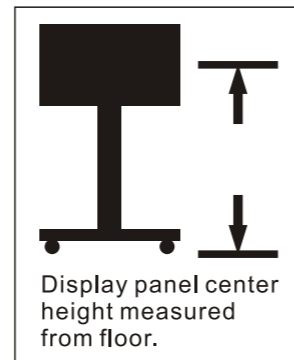
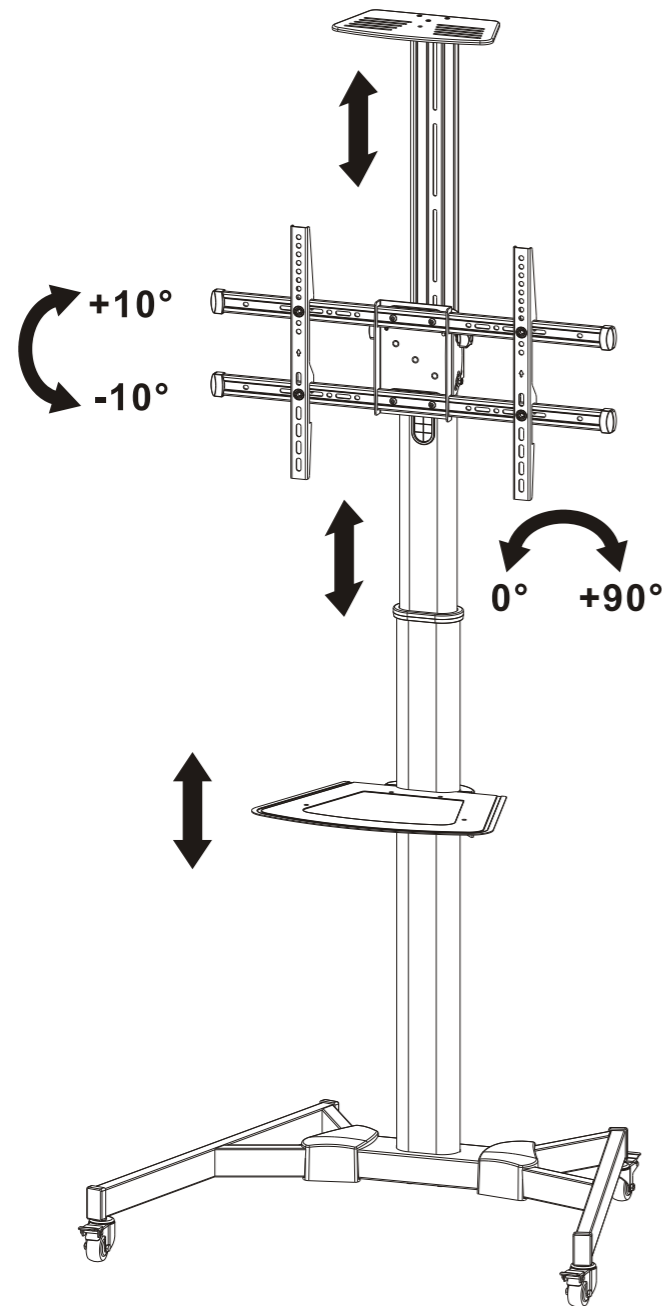


12. Adjustment



- It is recommended to adjust the columns to the desired height before installing the display.
- If you want to adjust the columns height after finishing the display installation. Please remove the DVD shelf, then adjust the columns to the desired height.

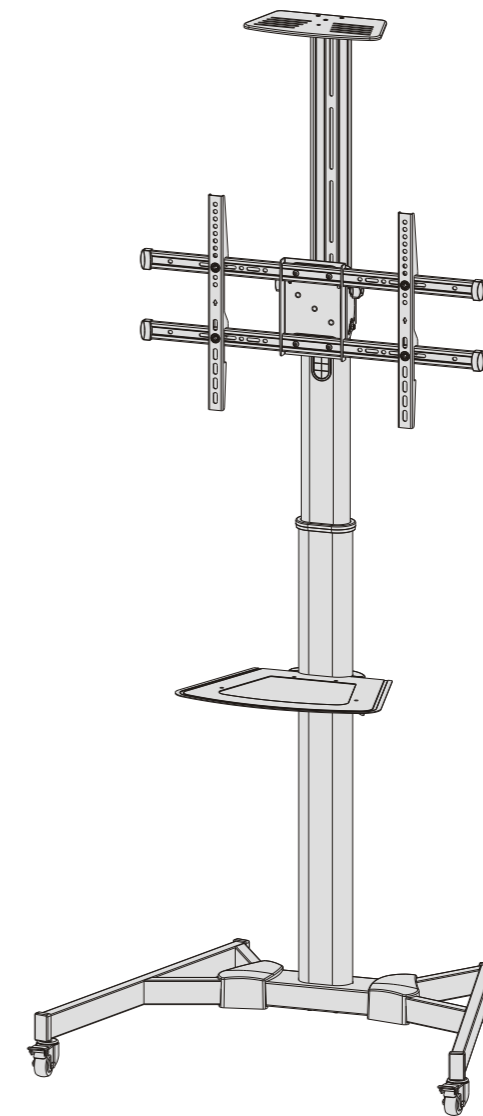
Maintenance

- Check that the bracket is secure and safe to use at regular intervals(at least every three months).
- Please contact your distributor if you have any questions.

TV Floor Cart and Accessories



CAUTION: DO NOT EXCEED RATED LISTED WEIGHT. SERIOUS INJURY OR PROPERTY DAMAGE MAY OCCUR!



PureLink GmbH
Von-Liebig-Str. 10 | 48432 Rheine | Germany
Phone: +49 (0) 5971 800 299 0

PureLink GmbH hereby declares that this product complies with Directive 1907/2006/EU and 2011/65/EU.

INSTALLATION MANUAL

PM-CART-70B



200x200/300x300
400x200/400x400
600x400



50kg/110lbs



5kg/11lbs



5kg/11lbs

NOTE: Read the entire instruction manual before you start installation and assembly.

⚠ WARNING

- Do not begin the installation until you have read and understood all the instructions and warnings contained in this installation sheet. If you have any questions regarding any of the instructions or warnings, please contact your local distributor.
- This mounting bracket was designed to be installed and utilised ONLY as specified in this manual. Improper installation of this product may cause damage or serious injury.
- This product should only be installed by someone with good mechanical ability who has basic building experience and fully understands this manual.
- Make sure that the supporting surface will safely support the combined weight of the equipment and all attached hardware and components.
- Always use an assistant or mechanical lifting equipment to safely lift and position the equipment.
- Tighten screws firmly, but do not over tighten. Over tightening can cause damage to the items, This greatly reduces their holding power.
- This product is intended for indoor use only. Using this product outdoors could lead to product failure and personal injury.

Required for Installation



Component Checklist

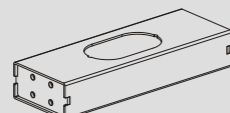
IMPORTANT: Ensure that you have received all parts according to the component checklist prior to installation. If any parts are missing or faulty, telephone your local distributor for a replacement.



left cover
A



right cover
B



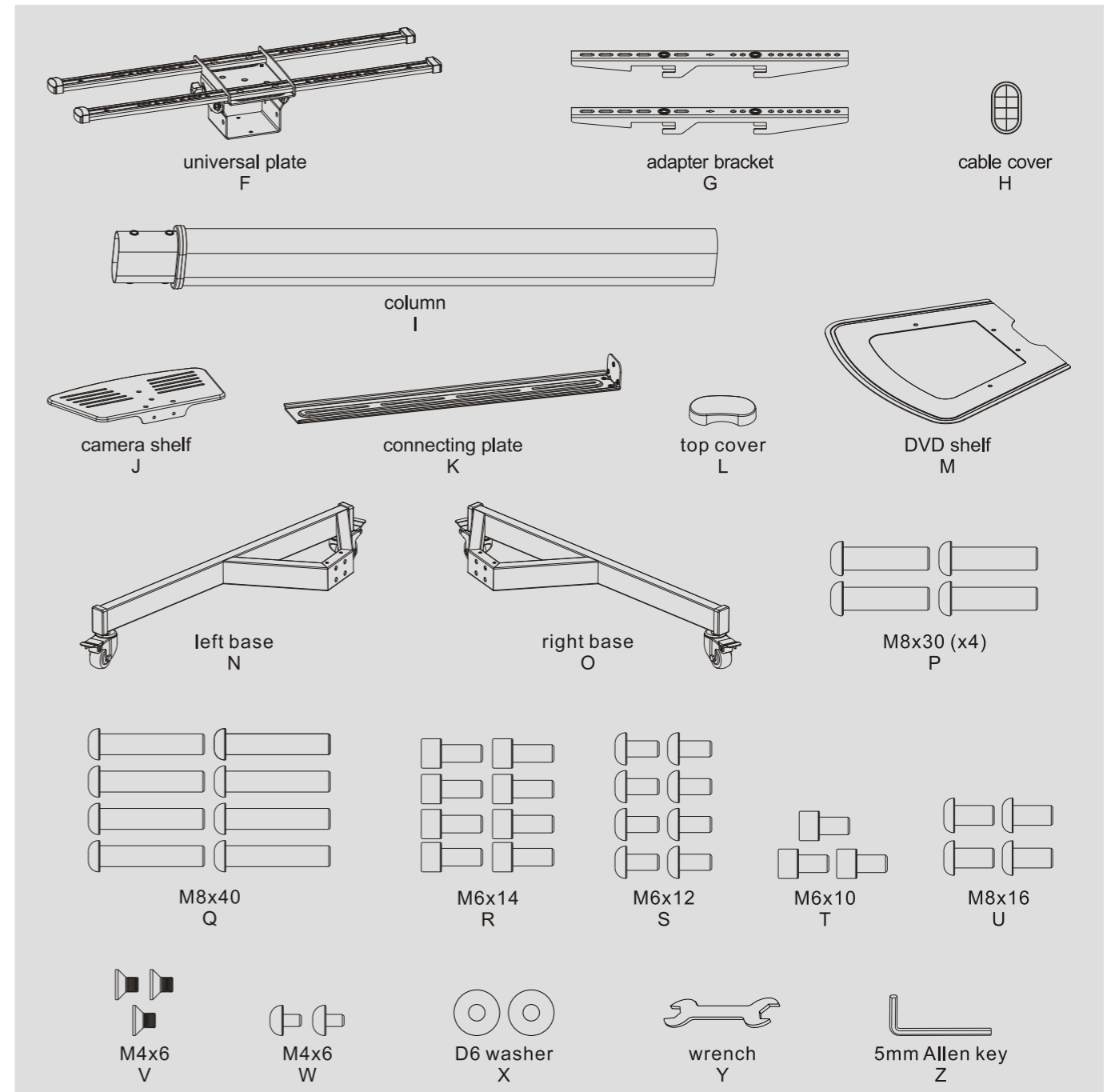
middle base
C



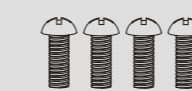
connecting plate
D



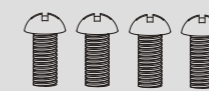
fastener
E



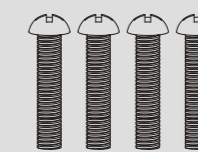
Package M



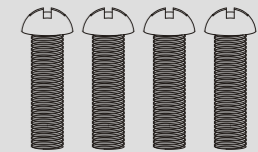
M5x14
M-A



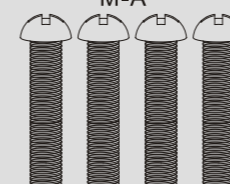
M6x14
M-B



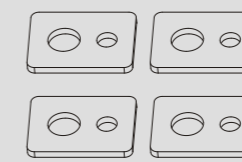
M6x30
M-C



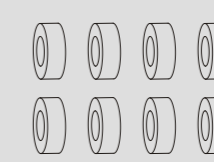
M8x30
M-D



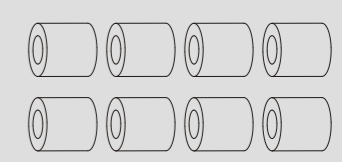
M8x50
M-E



washer
M-F

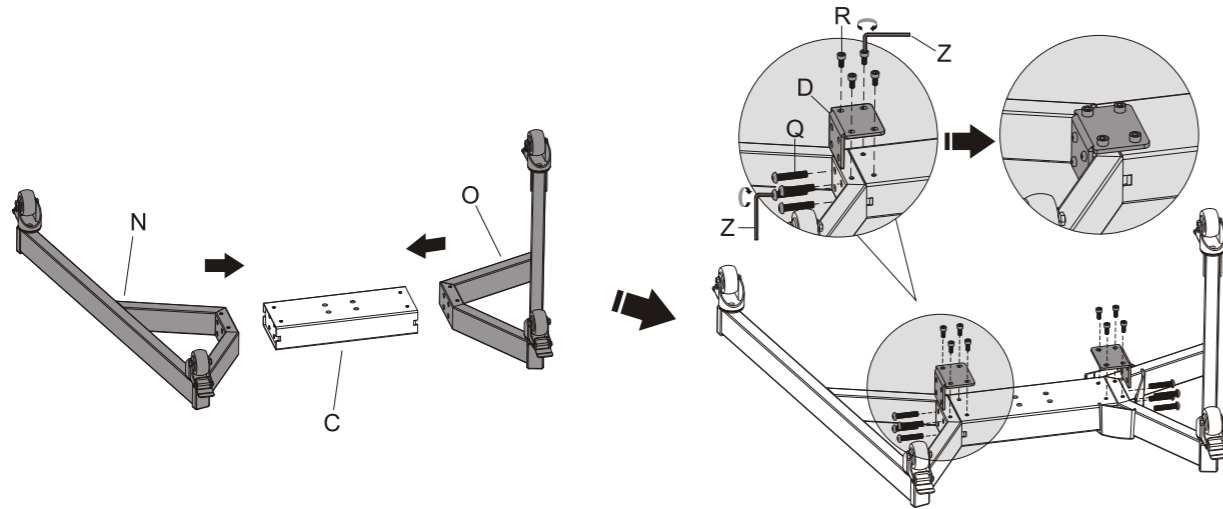


small spacer
M-G

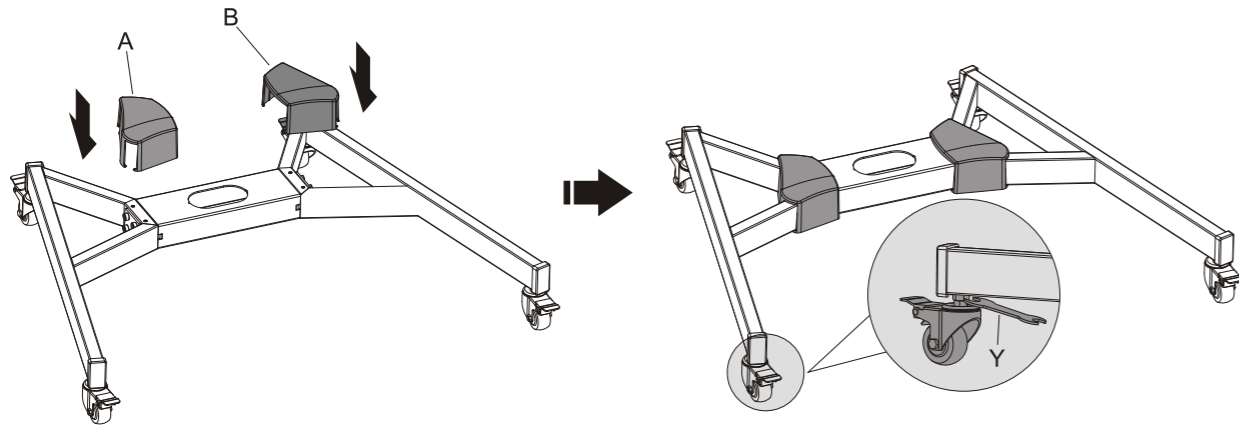


big spacer
M-H

1. Assembling the Base

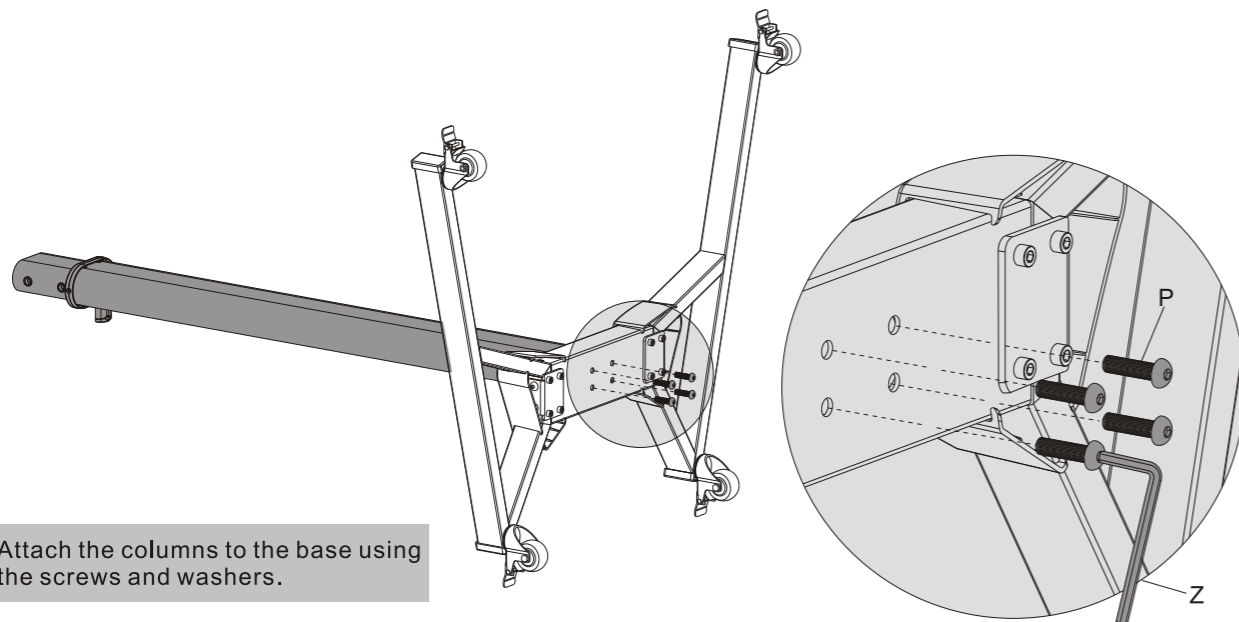


Insert the right base into the middle base. Align the holes in the right base to the holes in the middle base. Secure with the connecting plate and the screws. Repeat this step for the left base.



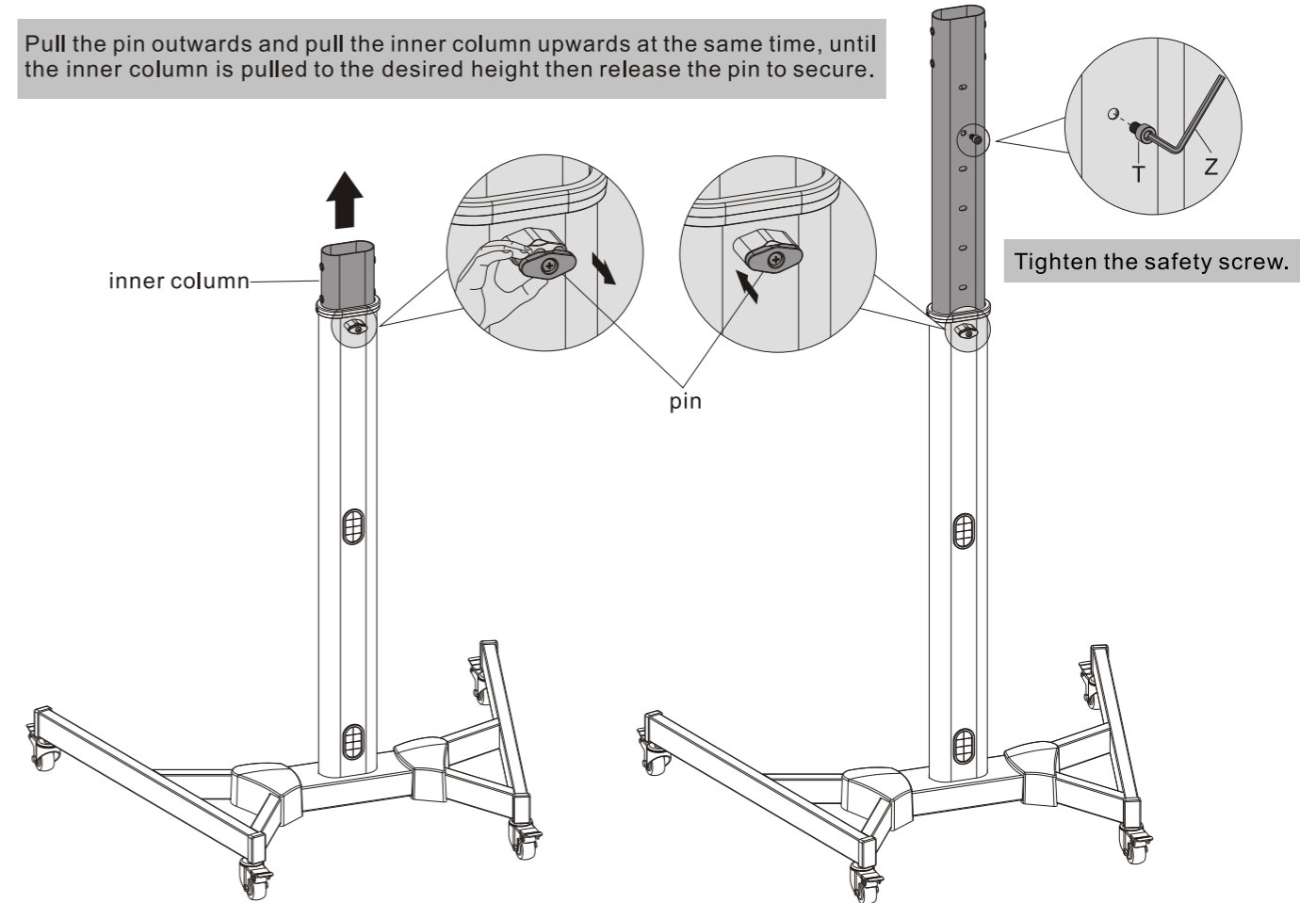
NOTE: Lock the brakes on the casters to avoid any sudden movements during installation.
Each caster can be adjusted independently for fine tuning adjustments. Slightly turn the nut to lower or raise the base.

2. Attaching the Columns to the Base



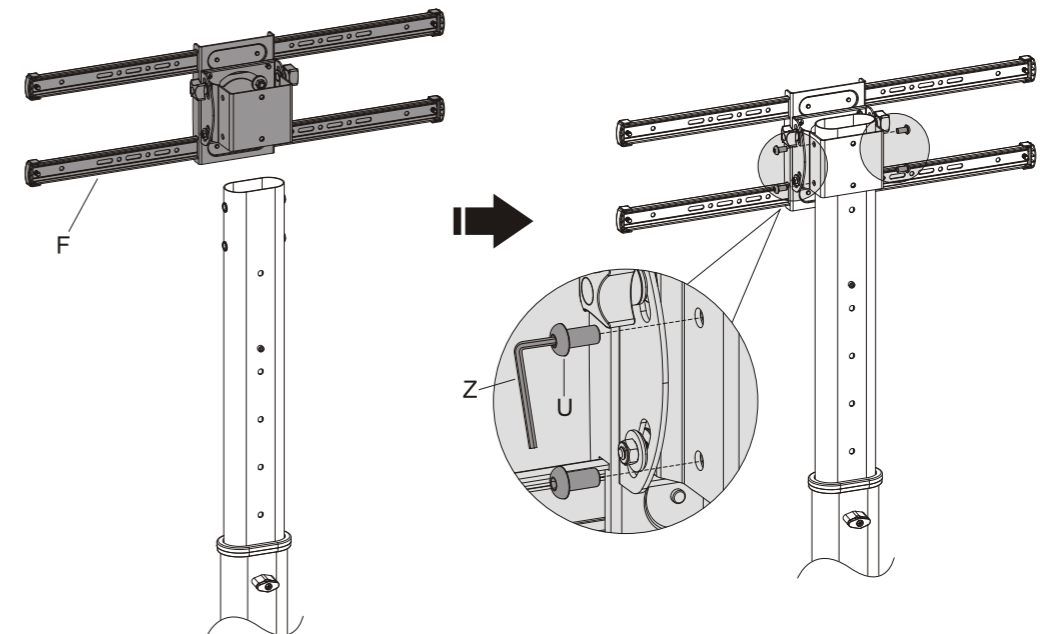
Attach the columns to the base using the screws and washers.

Pull the pin outwards and pull the inner column upwards at the same time, until the inner column is pulled to the desired height then release the pin to secure.



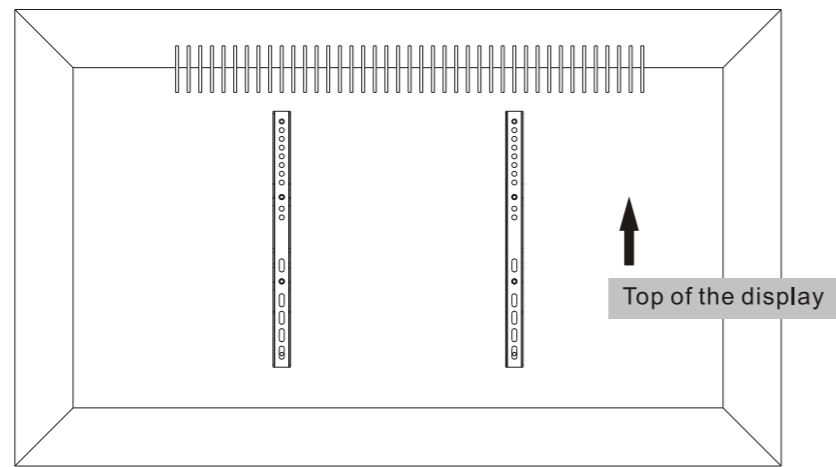
Tighten the safety screw.

3. Attaching the Universal Plate to the Column

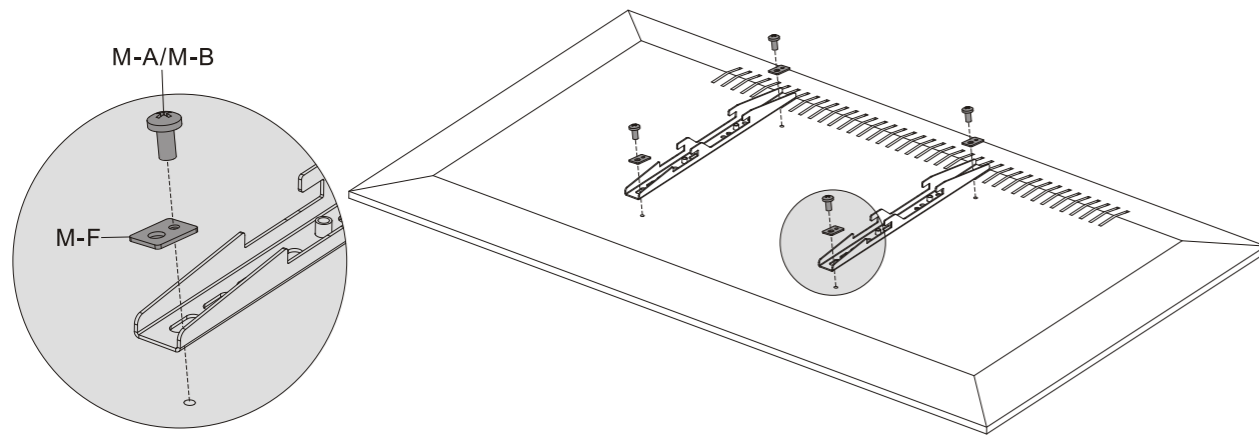
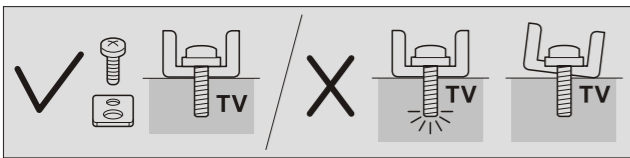


Attach the universal plate to the column using the appropriate screws.

4. Installing the Adapter Brackets

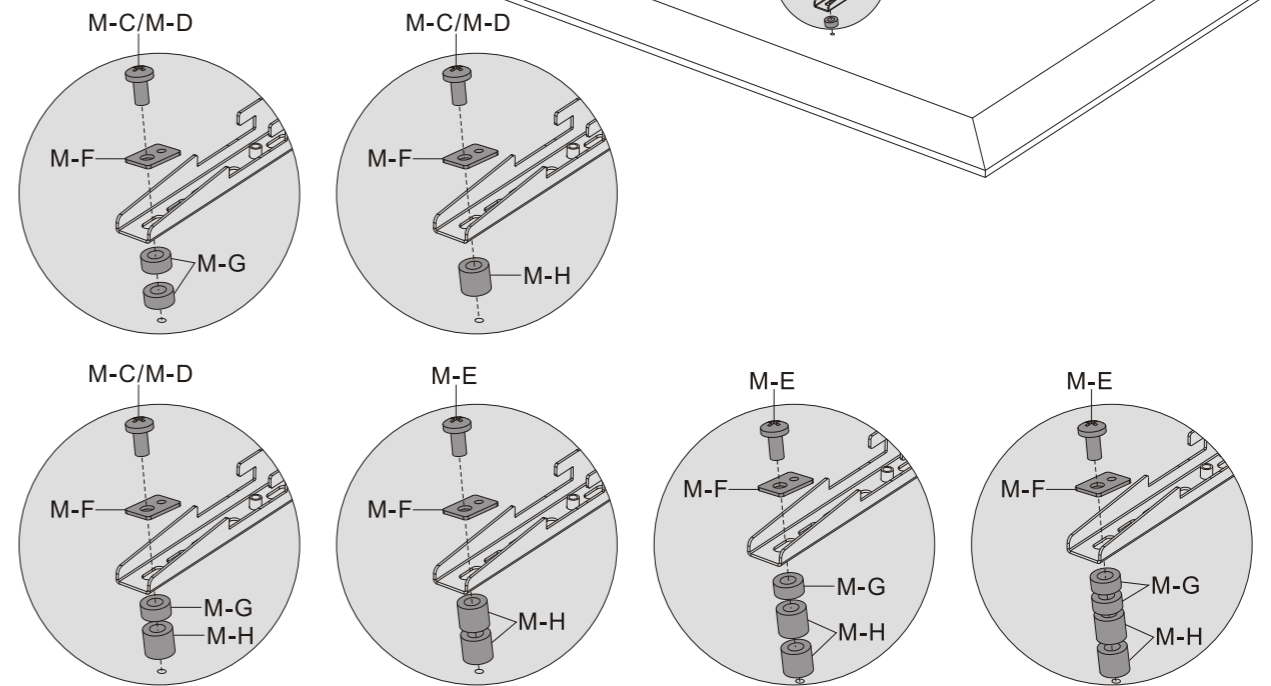
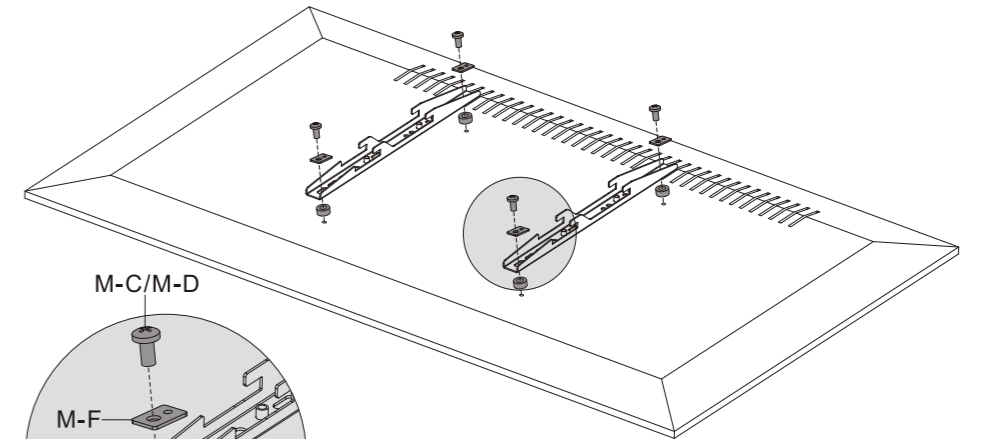
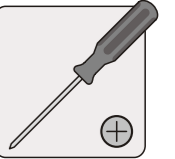


4-1 For Flat Back Screens



M-A			M-B		
M-F					

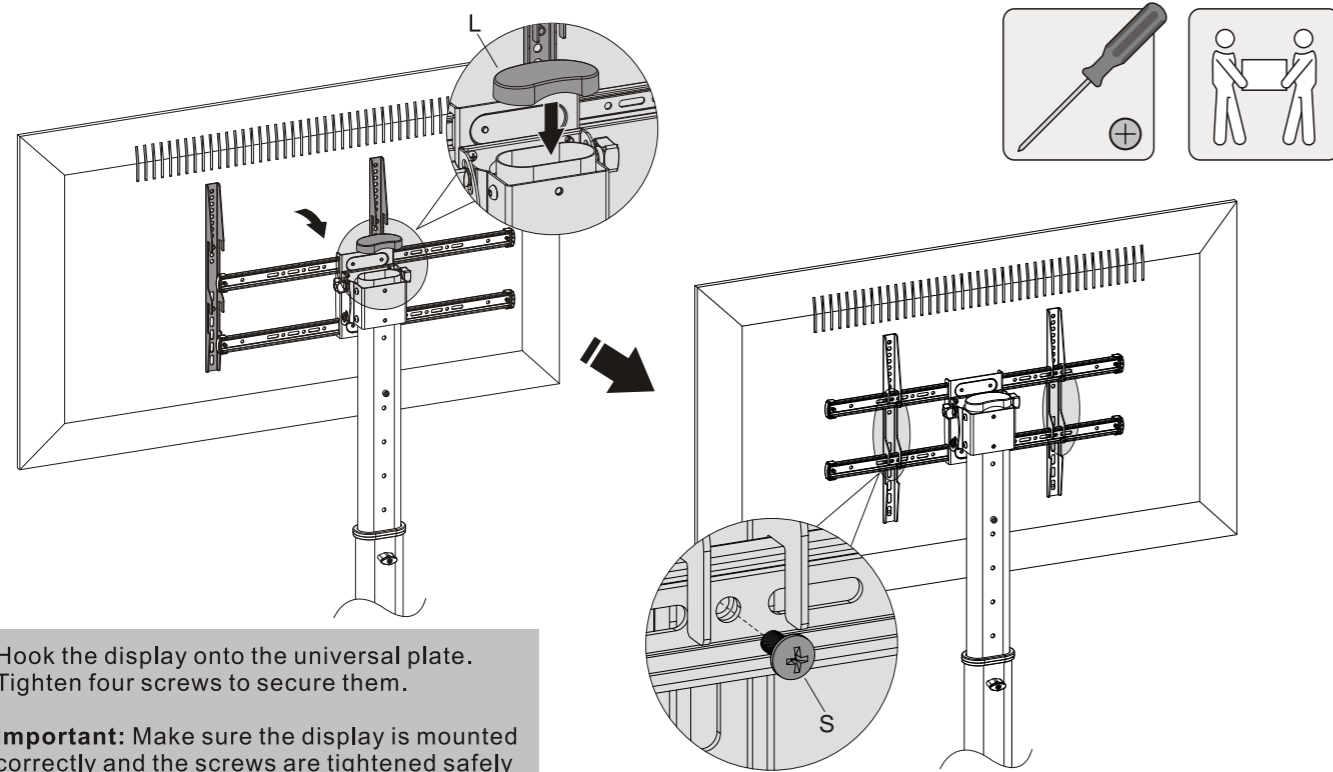
4-2. For Bump-out or Recessed Back Screens



M-C			M-D		
M-E			M-F		
M-G			M-H		

Note: Choose the appropriate screws, washers and spacers (if necessary) according to the type of screen.
 • Position the adapter brackets as close as possible to the center of the display.
 • Screw the adapter brackets onto the display.
⚠ Tighten all screws but do not over tighten.

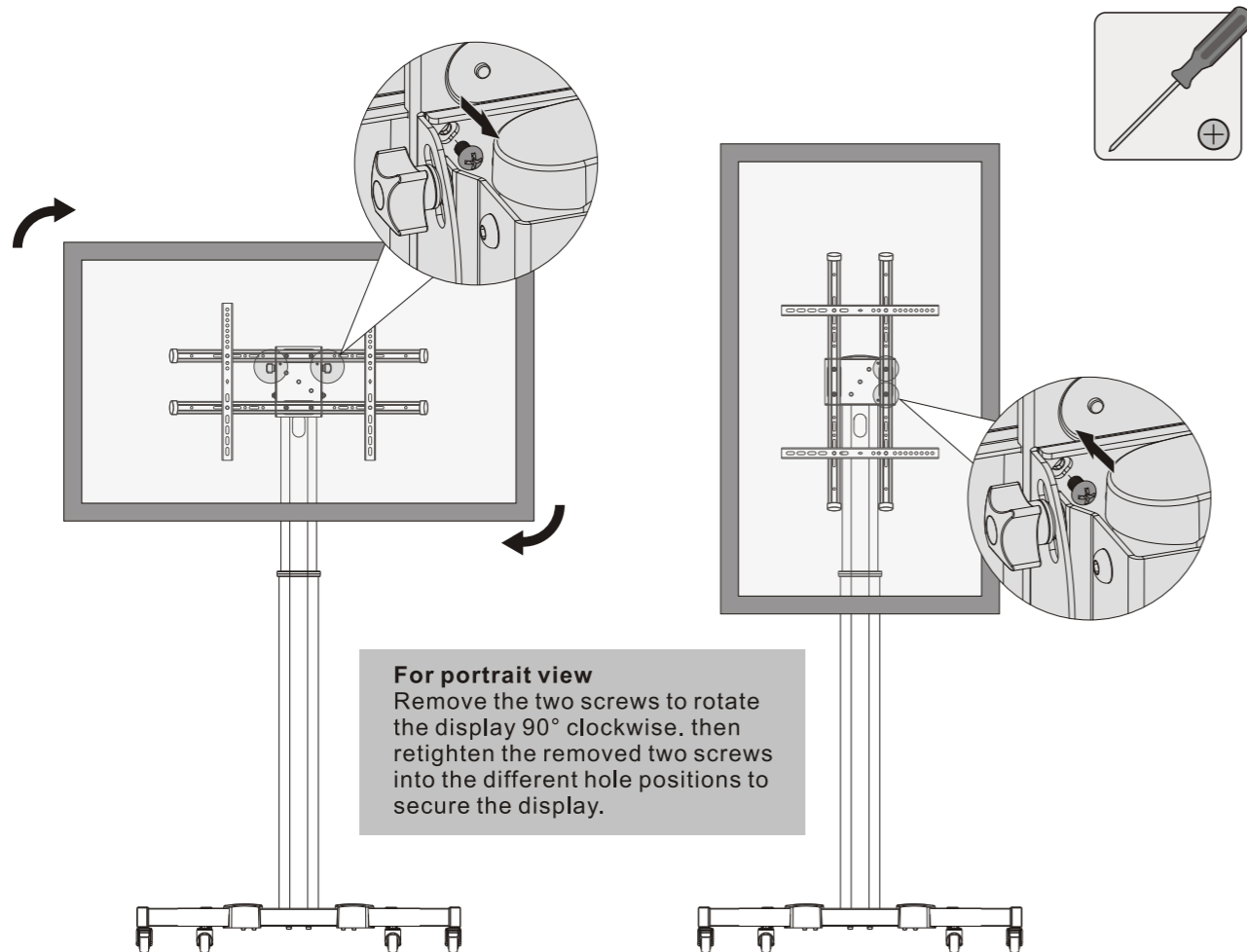
5. Hanging the Display onto the Universal Plate



Hook the display onto the universal plate. Tighten four screws to secure them.

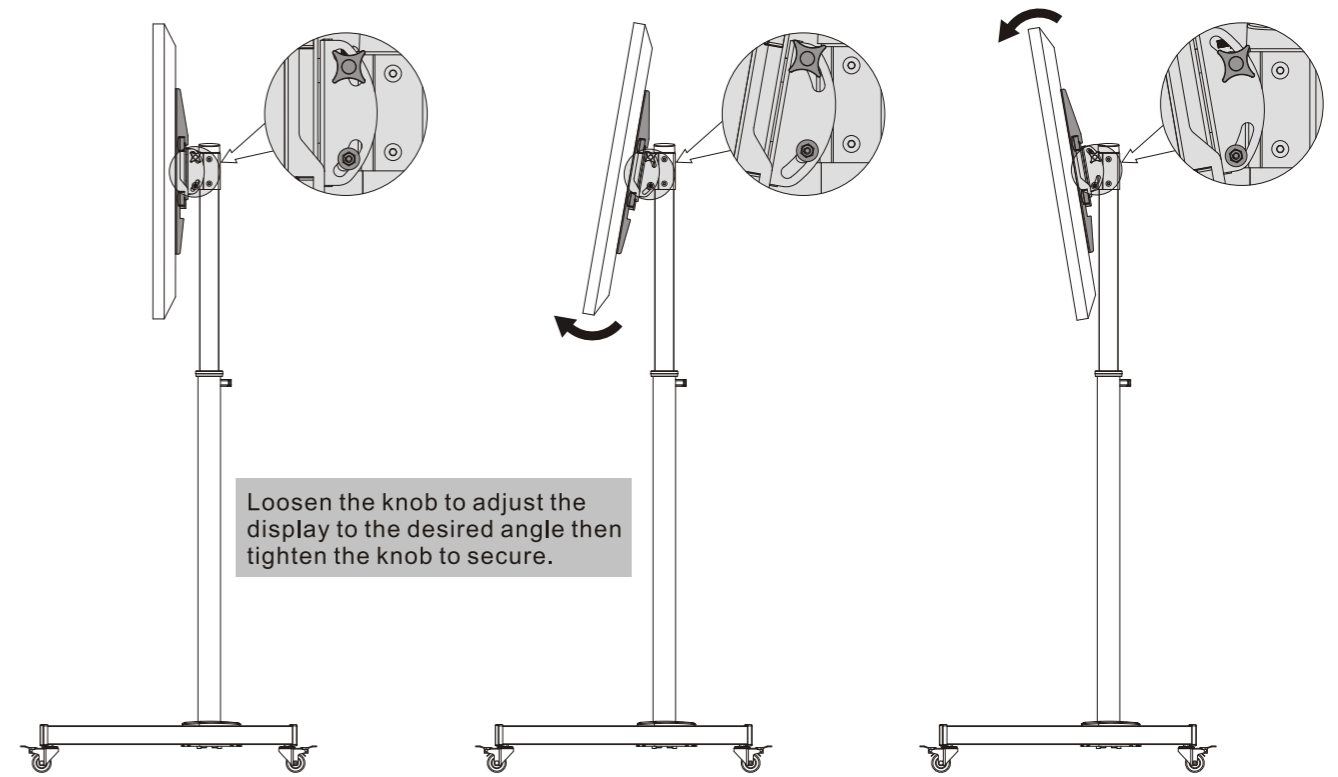
Important: Make sure the display is mounted correctly and the screws are tightened safely before releasing the display.

6. For Landscape or Portrait View



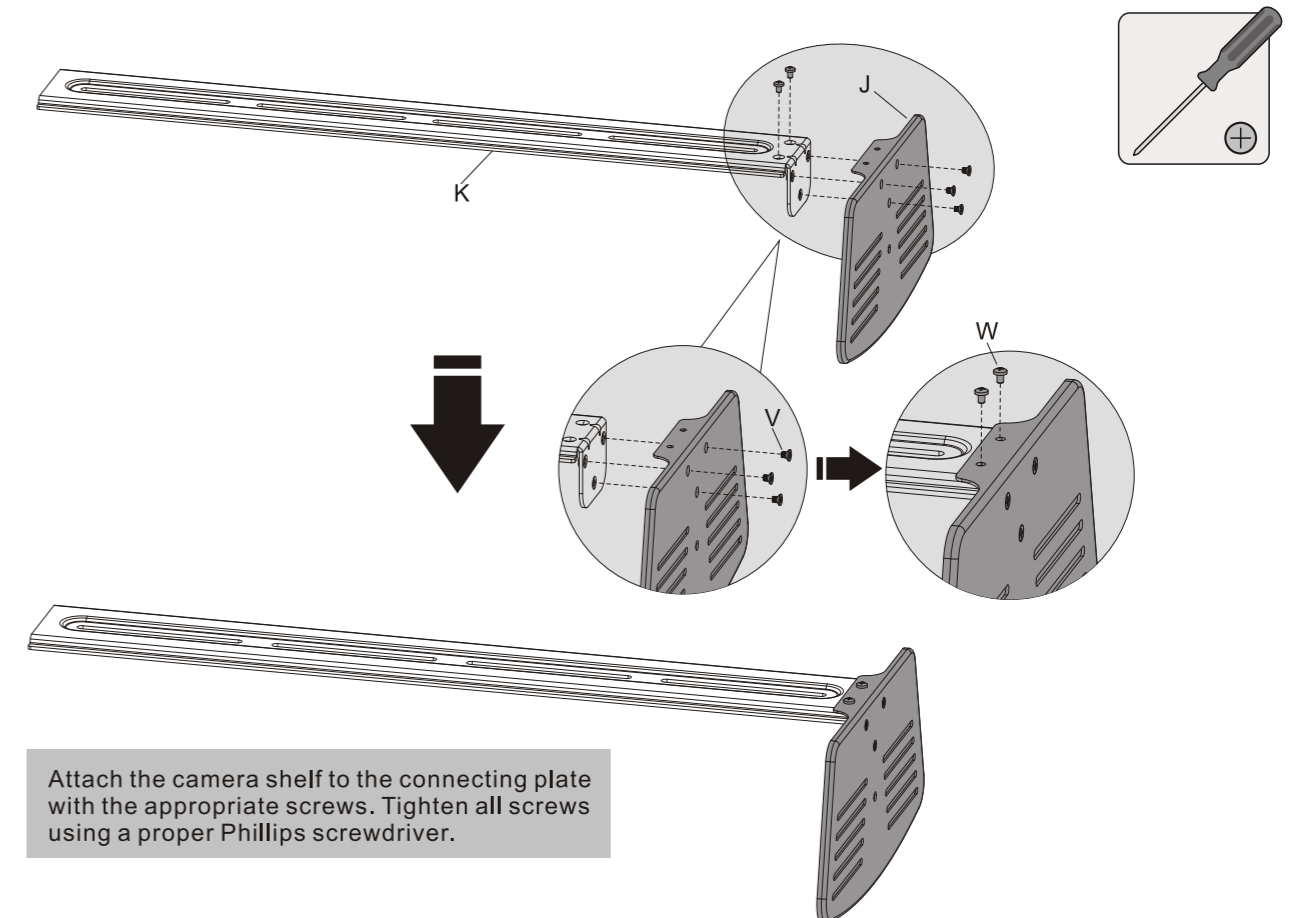
For portrait view
Remove the two screws to rotate the display 90° clockwise, then retighten the removed two screws into the different hole positions to secure the display.

7. Angle Adjustment



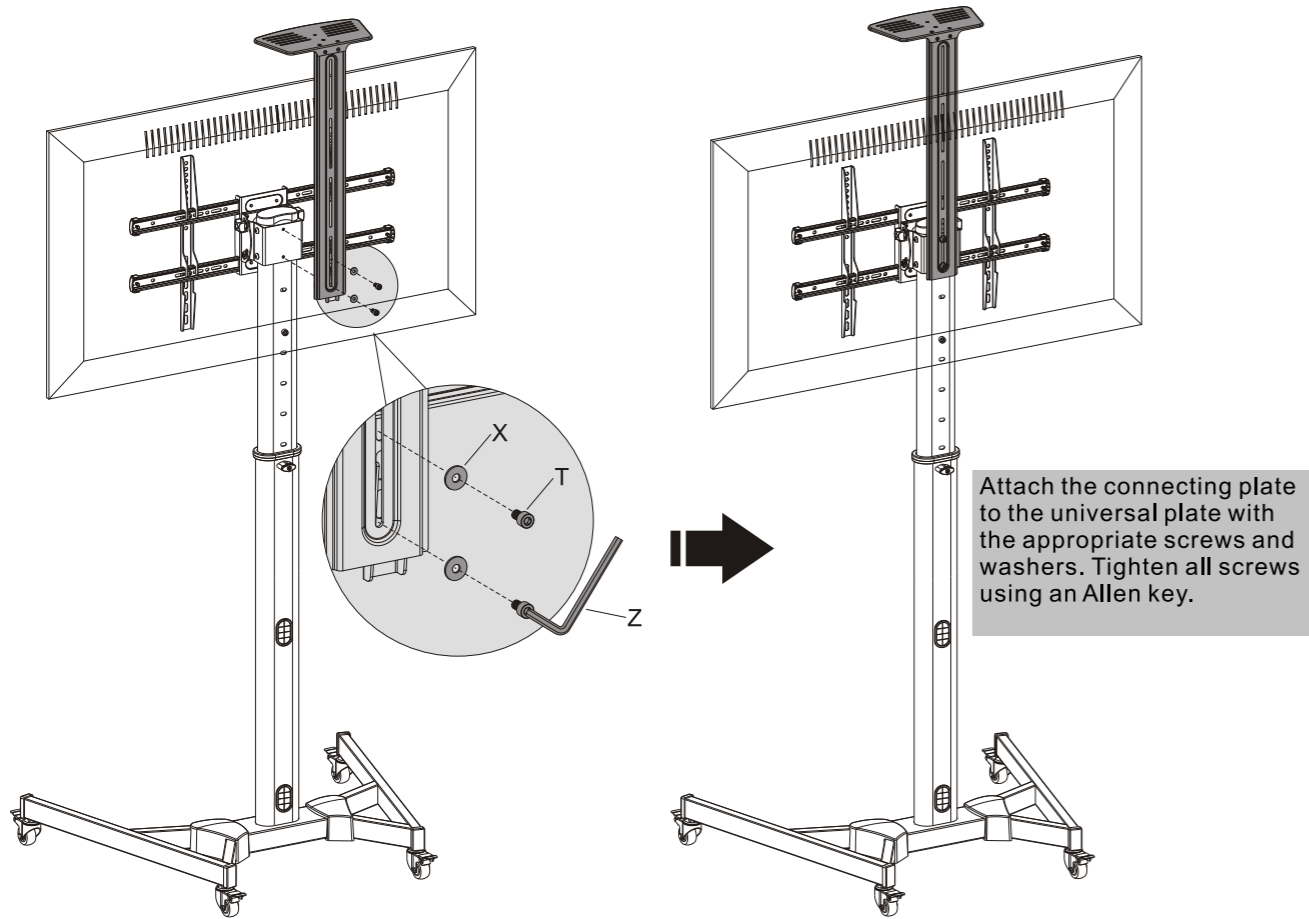
Loosen the knob to adjust the display to the desired angle then tighten the knob to secure.

8. Installing the Camera Shelf

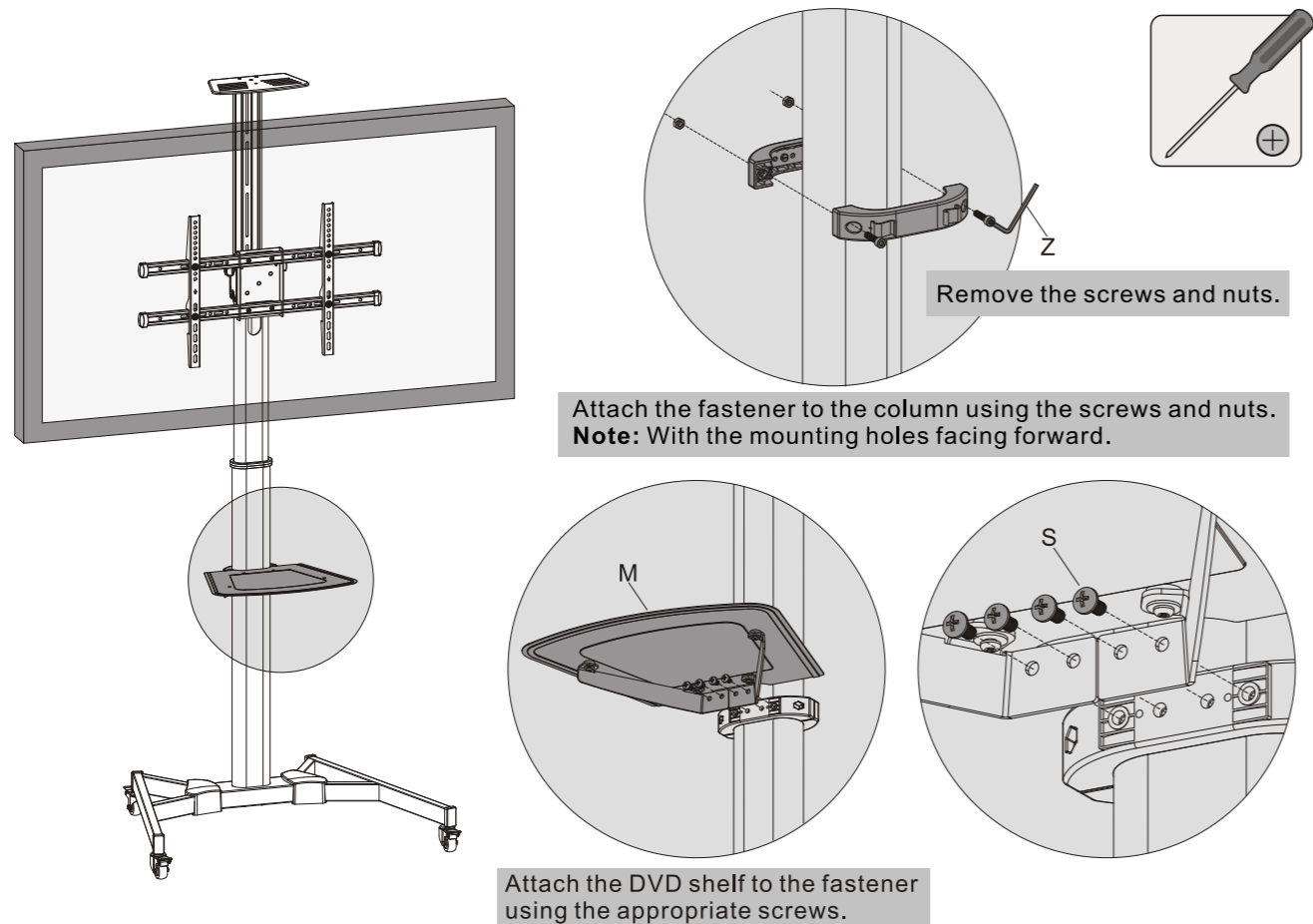


Attach the camera shelf to the connecting plate with the appropriate screws. Tighten all screws using a proper Phillips screwdriver.

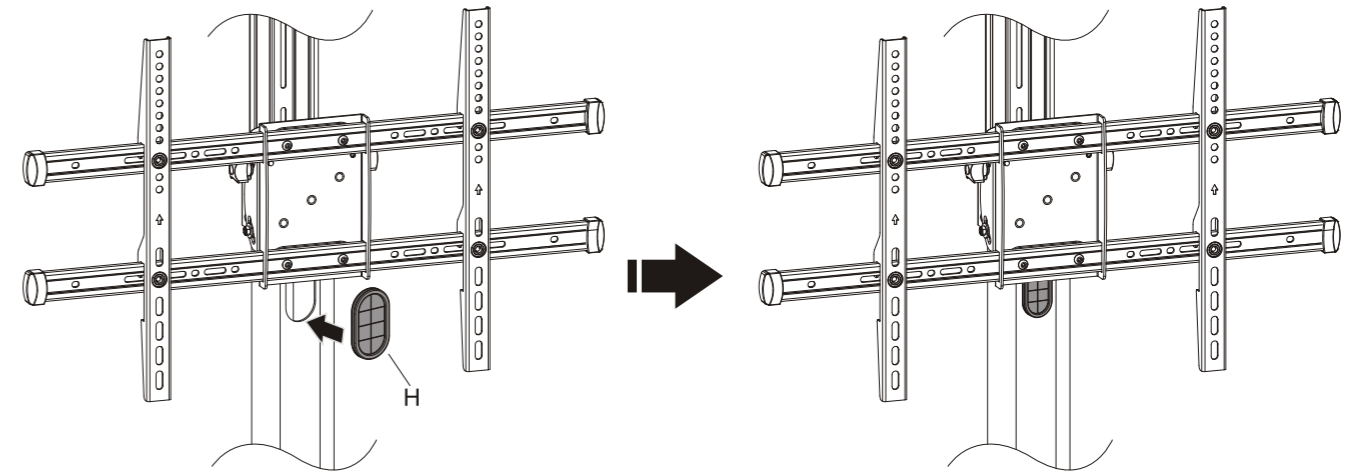
9. Installing the DVD Shelf



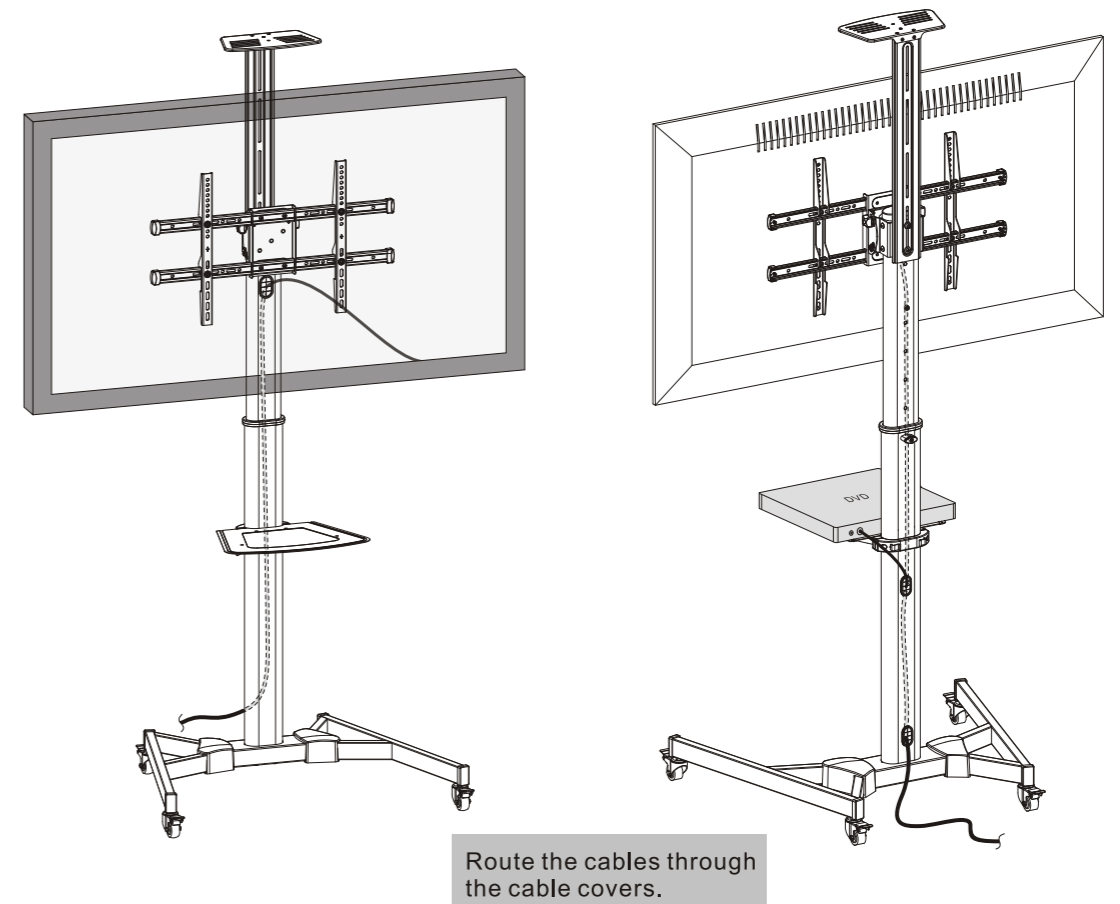
9. Installing the DVD Shelf



10. Installing the Cable Covers



11. Cable Management



Maintenance

- Check that the bracket is secure and safe to use at regular intervals (at least every three months).
- Please contact your distributor if you have any questions.