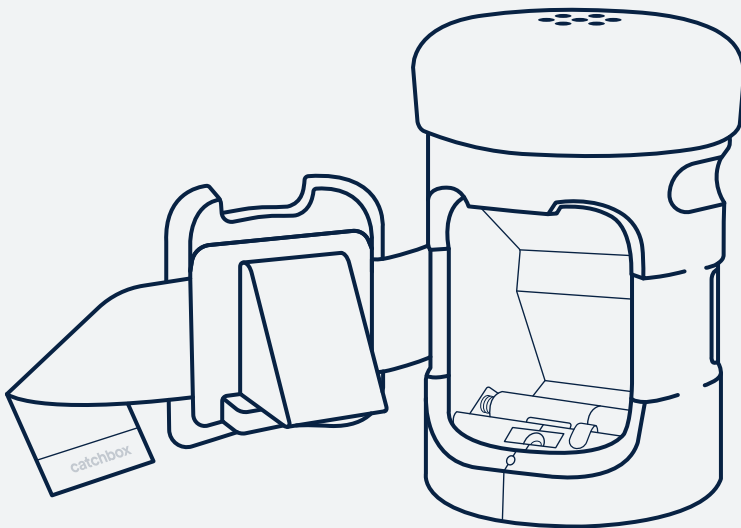


Catchbox Beltpack Module User Manual



Copyright 2025 Catchbox SIA version 1.0



Beltpack Module microphone capsule



Soft Cover

Table of Contents

| | |
|---|-----------|
| 1. Safety Instructions | 3 |
| 1.1. Notice | 3 |
| 1.2. Warning | 3 |
| 1.2.1. Throwing the Beltpack Module | 3 |
| 1.2.2. Proper use | 3 |
| 1.2.3. Magnet precautions | 3 |
| 1.3. Caution | 4 |
| 2. Product Description | 5 |
| 2.1. Overview | 5 |
| 2.2. Included Components and Cables | 5 |
| 2.3. Product Specifications | 6 |
| 2.2.1. Microphone Capsule Specifications | 6 |
| 2.3.2. General Specifications | 6 |
| 2.3.3. Frequency Response | 7 |
| 2.3.4. Soft Cover Specifications | 7 |
| 2.4. Compatibility | 8 |
| 3. Setting up the Beltpack Module | 9 |
| 3.1. Safety Guidelines | 9 |
| 3.2. Magnet Safety Considerations | 9 |
| 3.3. Usage Guidelines | 9 |
| 3.3.1. Throwing the Beltpack Module | 9 |
| 3.3.2. Speaking Into the Beltpack Module | 10 |
| 3.4. Setup steps | 10 |
| 3.4.1. Setting up your third-party system | 10 |
| 3.4.2. Selecting and connecting the adapter cable | 11 |
| 3.4.3. Removing the capsule | 11 |
| 3.4.4. Opening the velcro strap | 11 |
| 3.4.5. Inserting the battery | 12 |
| 3.4.6. Switching on and placing the transmitter | 12 |
| 3.4.7. Securing the transmitter | 13 |
| 3.4.8. Securing the capsule in the cover | 13 |
| 3.4.9. Testing audio levels | 13 |
| 4. Maintenance, Storage, and Disposal | 14 |
| 4.1. Cleaning | 14 |
| 4.2. Storage | 14 |
| 4.3. Disposal | 14 |
| 5. Certification | 15 |

1. Safety Instructions



1.1 Notice

- Before using the product, read and understand the user manual thoroughly. Ensure others who use the product are informed of its proper usage.
- Follow all warnings and instructions provided with the product and in this manual.
- Keep this user manual accessible and always include it when transferring the equipment to others.

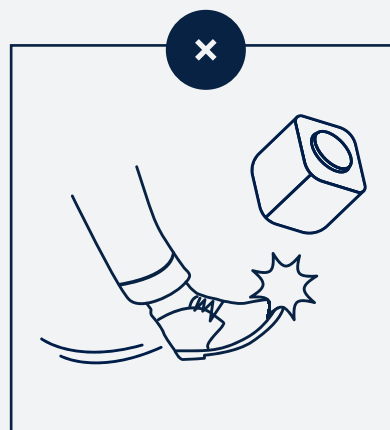
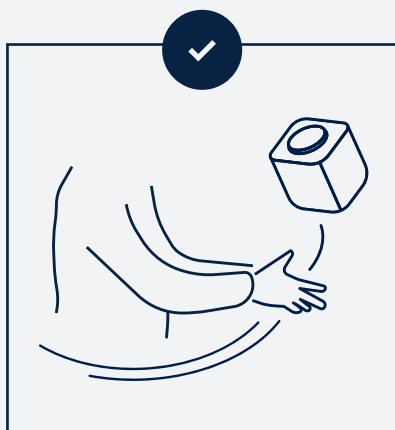


1.2 Warning

Not heeding these warnings may lead to serious injury or property damage.

1.2.1 Throwing the Beltpack Module

- Do not throw at peoples' heads. Ensure everyone is aware of the situation before throwing.
- Avoid using the Beltpack Module in areas and situations with fragile objects, liquids, or around individuals susceptible to injury, such as young children or the elderly.
- Do not make long passes (over 5 m / 16 ft) or throw the Beltpack Module with excessive force.



1.2.2 Proper use

- Properly lock the Beltpack Module into the cover before use. Always use the cover and the foam cap on the Module when using it.
- Only use compatible third-party transmitters, as specified by the manufacturer, with the Beltpack Module. Using incompatible transmitters may result in damage to audio equipment, an increase in overall product weight leading to an increased chance of injury, and/or a failure of the locking mechanism causing the Module or third-party transmitter to fall out during use causing injury.
- Operating or storing this device at temperatures above 50°C / 122°F, as this will cause the locking mechanism to fail permanently.

1.2.3 Magnet precautions

- This product contains magnets that can affect the functioning of pacemakers and other electronic implants. These devices could stop working or switch into test mode, causing illness. If you wear these devices, maintain a sufficient distance from the magnets.
- Warn others who wear electronic implants to keep a safe distance from the magnets.



1.3 Caution

- Magnets produce a far-reaching, strong magnetic field. Keep magnets away from devices and objects that could be damaged by strong magnetic fields, like laptops and other electrical equipment.
- Do not place the device near heat sources such as heating ducts or radiators. Avoid exposing them to direct sunlight, excessive dust, moisture, rain, mechanical vibrations, or shock.
- Do not use near water. Use equipment indoors only. If the equipment comes into contact with liquid, turn off the product and shut down the sound system.
- Avoid excessive volume. Do not exceed 70dBa for airborne noise.
- Clean the equipment with a moistened (not wet) cloth only. Be sure to turn off the device before cleaning the equipment, during lightning storms, and/or when not in use.
- The equipment should be opened, serviced, and repaired by qualified service personnel only.
- Do not attempt to modify this product or its accessories and use only accessories and attachments, specified by the manufacturer.
- Use only AA (LR6) type alkaline batteries with the product.
- Be sure to dispose of dead batteries as required by local waste disposal rules. Never throw batteries into a fire or a garbage bin.

2. Product Description

2.1. Overview

The Catchbox Beltpack Module transforms a wireless beltpack transmitter into a throwable microphone for engaging audiences at large, supervised and managed events.

Equipped with a focused omni-directional™ microphone element capsule, the Beltpack Module delivers high-quality audio. Its unique Automute™ technology automatically silences the microphone when it's in motion, preventing unwanted noise when it's passed from person to person.

Note that the Beltpack Module itself does not function as a wireless transmitter. Instead, it relies on a compatible third-party beltpack transmitter for wireless audio transmission. No additional license is required for Beltpack Module, provided a license is already in place for the third-party transmitter.

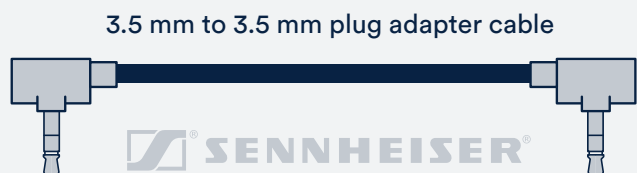
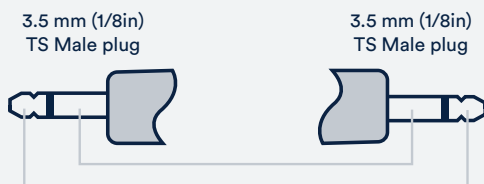
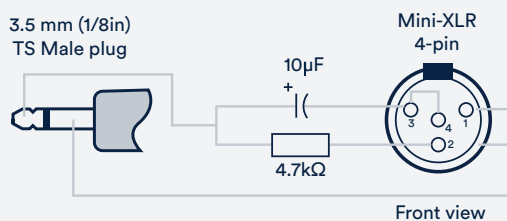
The performance specifications of the overall system, such as range of operation, radio frequency, audio frequency response, and system latency, depend on the make and model of the third-party beltpack transmitter that is used with the Module. Therefore, it is important to only use the beltpack transmitters that are specified as compatible by the manufacturer.

To operate the system, you'll need:

- The Beltpack Module
- A compatible beltpack transmitter
- A compatible adapter cable that matches the pin layout of the beltpack transmitter of your choice.
- x1 AA battery (included in the set) to power the Module

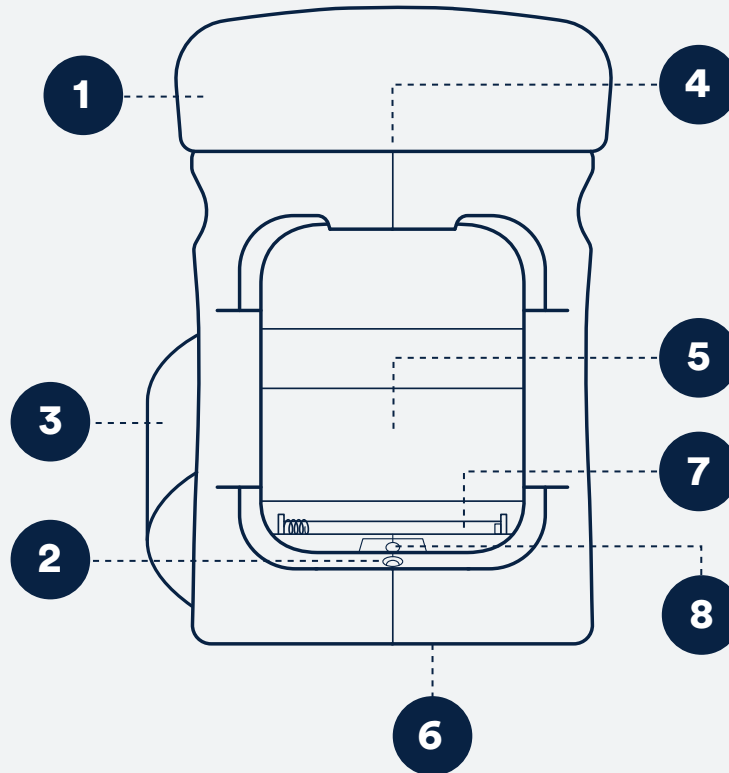
2.2. Included Components and Cables

- Beltpack Module soft cover
- Beltpack Module microphone capsule
- 3.5 mm (1/8 in) to 4-pin mini XLR adapter cable
- 3.5 mm (1/8 in) to 3.5 mm plug adapter cable
- x1 AA battery



2.3. Product Specifications

2.3.1. Microphone Capsule Specifications



1. Foam Cap

2. 3.5 mm (1/8 in) port

3. Velcro Strap

4. Focused omni-directional™
microphone element

5. Cavity for the third-party beltpack transmitter

6. Magnetic Lock

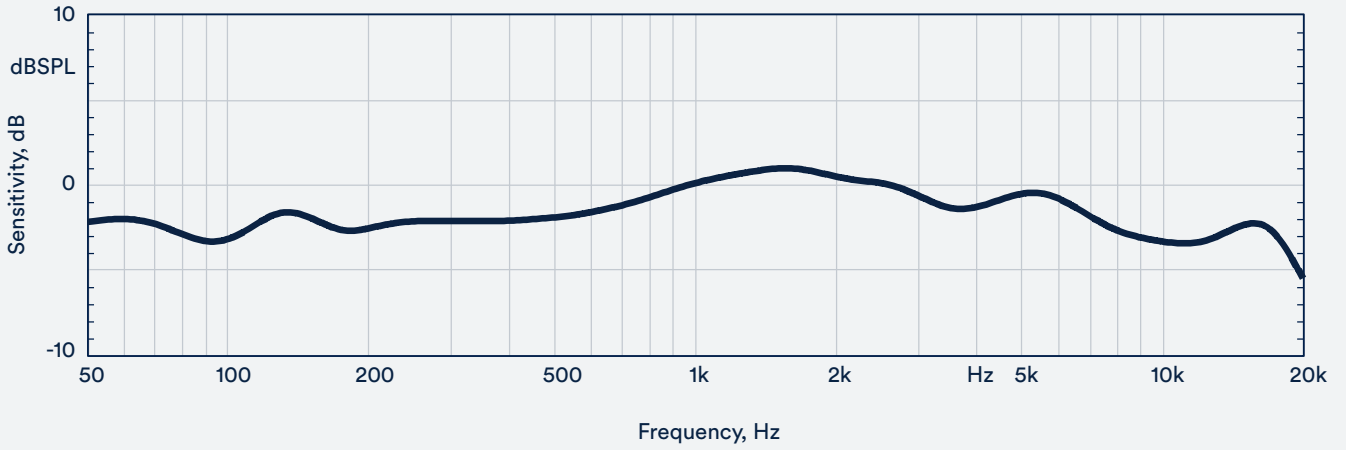
7. Battery compartment

8. Status LED

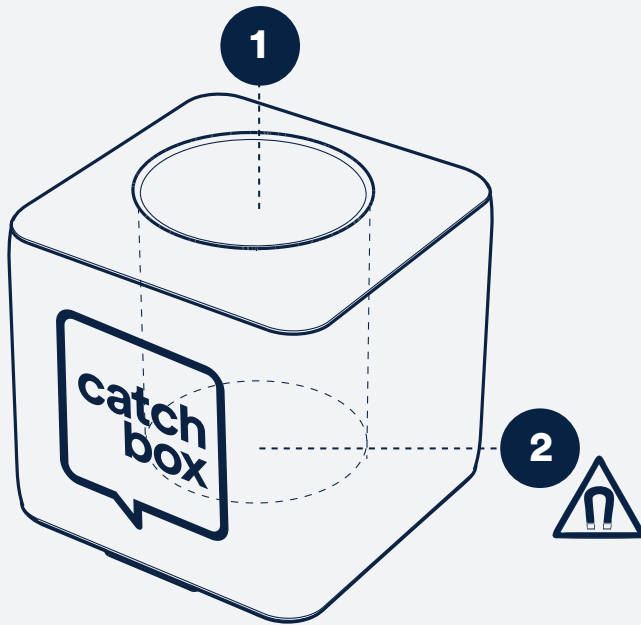
2.3.2. General Specifications

| | |
|---|---|
| Weight (with Cover, without wireless transmitter) | 335 g / 11.82 oz |
| Dimensions (with Cover) | 180 x 180 x 180 mm / 7 x 7 x 7 in |
| Built-in Automute™ technology | Yes |
| Working range | Depends on the wireless system used |
| Battery type | 1 x AA (LR6) |
| Battery life | >20 hours (with alkaline battery) |
| Microphone element | 4 Electret condenser, Focused omni-directional™ |
| Additional audio latency | 0 ms |
| Audio frequency response | 50 to 20 000 Hz |
| Operating temperature range | 0 °C (32 °F) to 30 °C (86 °F) |
| Storage temperature range | 0 °C (32 °F) to 50 °C (122 °F) |
| Wireless charger compatible | No |

2.3.3. Frequency Response



2.3.4. Soft Cover Specifications



1. Opening for capsule

2. Magnetic lock

Weight: 200 g / 7 oz

Dimensions: 18 x 18 x 18 cm / 7 x 7 x 7 in

2.4. Compatibility

The Catchbox Beltpack Module is designed to work with third-party wireless microphone transmitters. It converts third-party wireless microphone transmitters into throwable microphones. The device is compatible with the following models of transmitters from Shure™ and Sennheiser™:

Compatible beltpack transmitters:

| Shure | Sennheiser |
|-------|---------------|
| ULXD1 | SK 100 G3 |
| QLXD1 | SK 500 G4 |
| UR1M | SK 100 G3 1G8 |
| GLXD1 | SK 300 G4 |
| | SK 500 G3 |
| | SK 100 G4 |
| | SK 100 G2 |
| | XSW-D |
| | SK 100 G4 |

These transmitters have been tested to ensure compatibility and fit into the cavity of the Beltpack Module. Connecting a third-party transmitter to the Beltpack Module requires an adapter cable that matches the transmitter's pin layout.

[Download](#) the complete Compatibility List for full details.

Note that transmitters that are not listed in the Compatibility List may be oversized or too heavy and can not be used as that can make the device unsafe to throw.

3. Setting up the Beltpack Module

The Beltpack Module is a great way to make events more interactive, but improper use can result in injury or property damage. Note that the manufacturer accepts no liability for damages or injuries caused by misuse of this product.

Catchbox Beltpack Module uses third-party beltpack transmitters to function. For a list of compatible transmitters, [see the list here](#).

3.1 Safety Guidelines

- Ensure the Beltpack Module and the compatible third-party wireless beltpack transmitter are securely locked inside the foam cover.
- Only use third-party beltpack transmitters specified as compatible by the manufacturer.
- Do not throw long or hard passes.
- Avoid using the device near fragile items, hot liquids, glasses, open bottles, or unsuspecting individuals. Extra caution is advised around individuals who may be prone to injury, such as young children or older adults.

Failure to follow these precautions may result in personal injury and/or property damage. The manufacturer is not responsible for any issues resulting from the misuse of this product.

3.2 Magnet Safety Considerations

The Beltpack Module contains magnets that may affect nearby electrical devices and implants.

- Avoid placing the Beltpack Module on and/or near electronic devices, such as laptops, as the magnetic field may get adversely affected or damaged from the magnetic field.
- People with pacemakers or other electrical implants should avoid direct contact with the magnets. Magnetic interference could cause these devices to stop working, malfunction or switch into test mode, if they come into direct contact with a strong magnet.

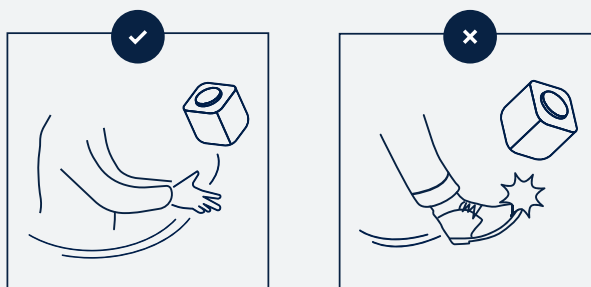
3.3 Usage Guidelines

3.3.1 Throwing the Beltpack Module

To throw the microphone, find someone in the audience who would like to ask a question or make a comment. Ensure that this person, as well as those nearby, are aware of the situation and ready to catch. Short, underhand passes of around 5 m / 16 ft are recommended. If someone farther away has a question, engage the entire audience by having people pass the Module in short distances to the person who wants it, which can help activate the crowd.

Avoid throwing the Beltpack Module near fragile electronics or liquids nearby, as these could spill or be damaged by the throw. Avoid throwing the Module around people who may be more susceptible to injury, such as young children or the elderly.

Do not throw long or hard passes, and never aim at people's heads. Improper throwing or use of this device can result in serious injury and/or property damage.



3.3.2 Speaking Into the Beltpack Module

To use the Beltpack Module, simply speak into the foam cap on top of the device. It is advisable to inform audience members of the ideal distance to speak into the microphone - around 20cm / 8 in is ideal. This distance provides the clearest sound while not blocking the speaker's face.

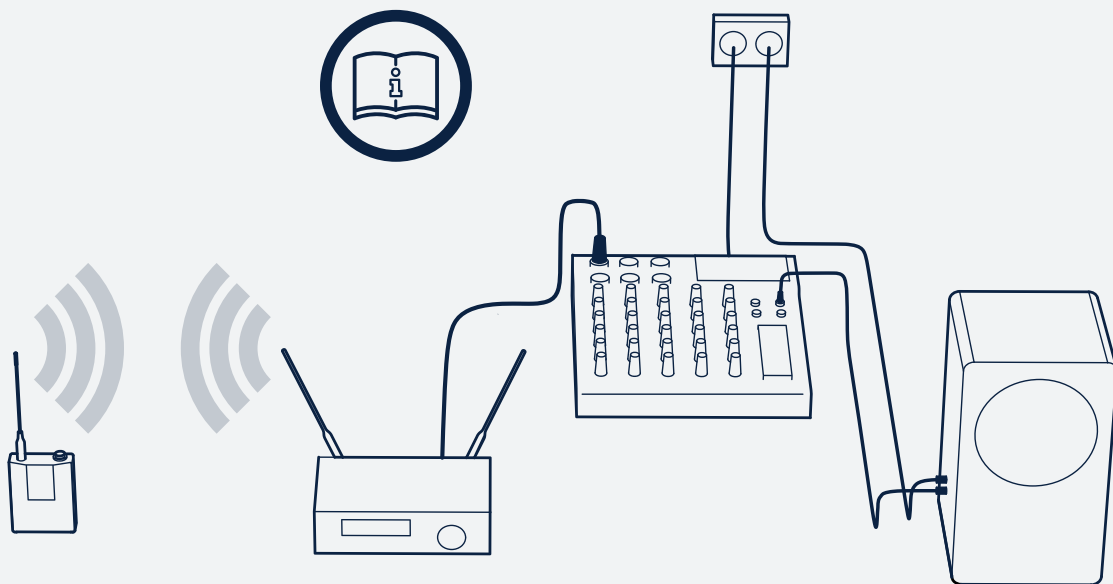
Avoid using the Beltpack Module near loudspeakers as this can cause audio feedback.



3.4 Setup steps

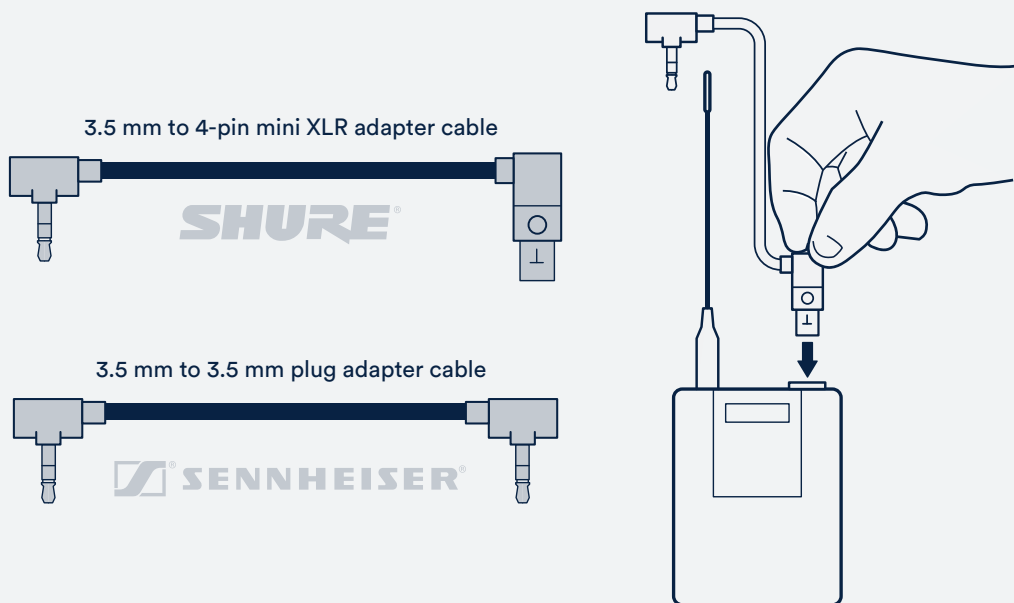
3.4.1 Setting up your third-party system

Setup a compatible third-party beltpack transmitter and receiver, syncing the two units and connecting the receiver to a sound system. For specific instructions, see the relevant user manual provided by the manufacturer of said system.



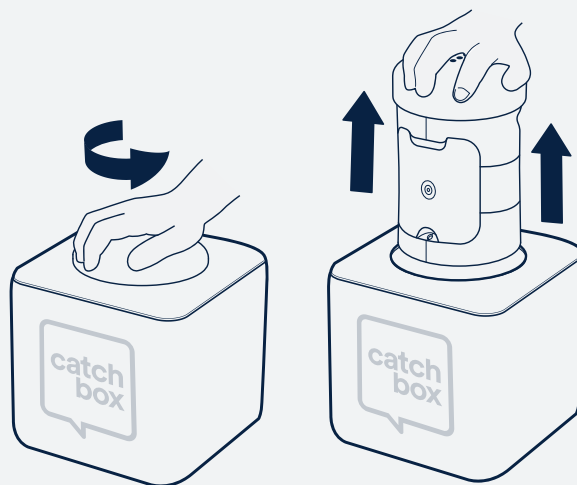
3.4.2 Selecting and connecting the adapter cable

Choose an adapter cable based on the brand and model of your third-party transmitter. You can use one of the two cables included in the set (compatible with Shure and Sennheiser transmitters), or, if your transmitter is from a different brand, you will need to obtain a compatible adapter cable separately. Once you have the correct cable, connect it to the microphone input of the transmitter.



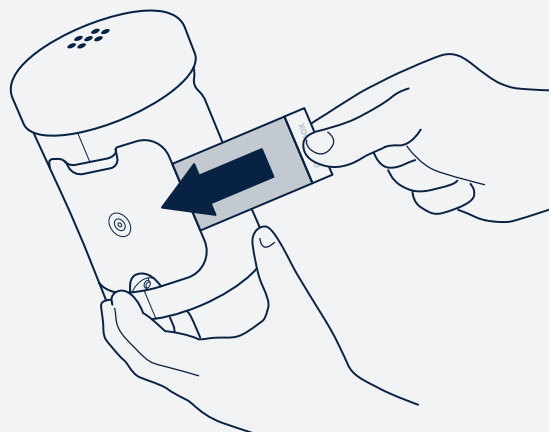
3.4.3 Removing the capsule

The capsule is held in place by magnets located on the bottom of both the cover and the capsule. To remove it, hold the capsule by the foam cap and turn it 90 degrees. Once turned, you can pull the capsule out as the twist disengages the magnets.



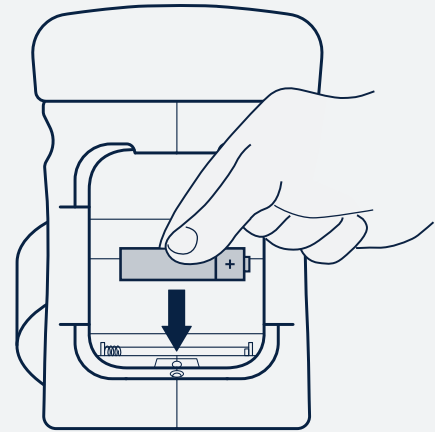
3.4.4 Opening the velcro strap

Open the velcro strap surrounding the device by pulling it gently along the surface of the Module.



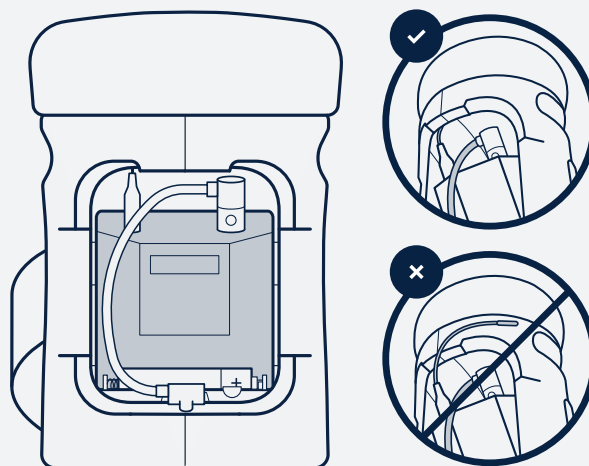
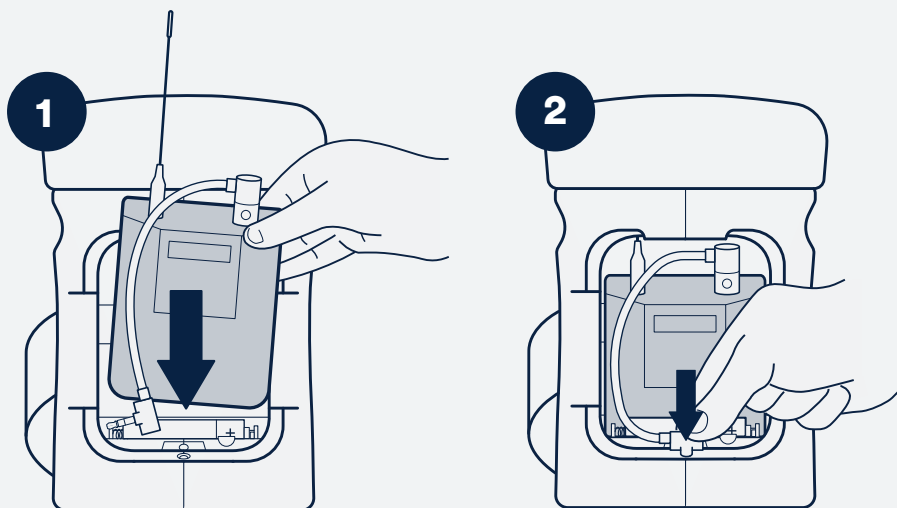
3.4.5 Inserting the battery

Insert one AA battery into the bottom part of the cavity. Use the “Battery Release” ribbon to easily remove the battery after use.



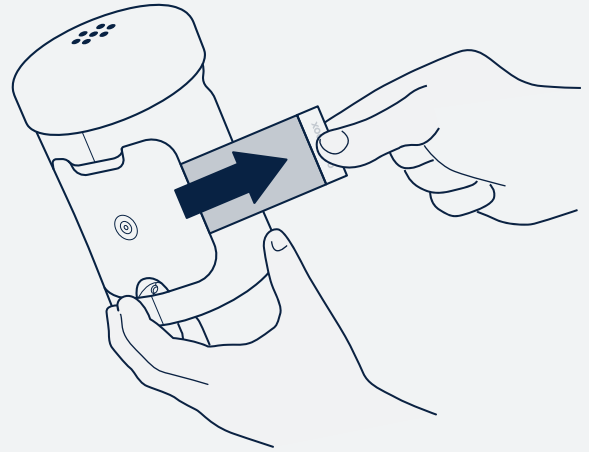
3.4.6 Switching on and placing the transmitter

Switch on the third-party transmitter to enable wireless audio transmission. Place the transmitter securely inside the cavity of the Beltpack Module, making sure no antennas or cables are sticking out. Ensure the cable is placed along the left side of the cavity, as shown in the picture. Connect the third-party transmitter to the Beltpack Module by plugging the adapter cable's 3.5 mm (1/8 in) connector into the port located at the bottom part of the cavity.



3.4.7. Securing the transmitter

Secure the velcro strap tightly around the Beltpack Module, ensuring that the soft foam padding firmly holds the transmitter in place. This prevents the transmitter from moving around inside the cavity, even when the capsule is shaken and the entire Beltpack Module thrown around.

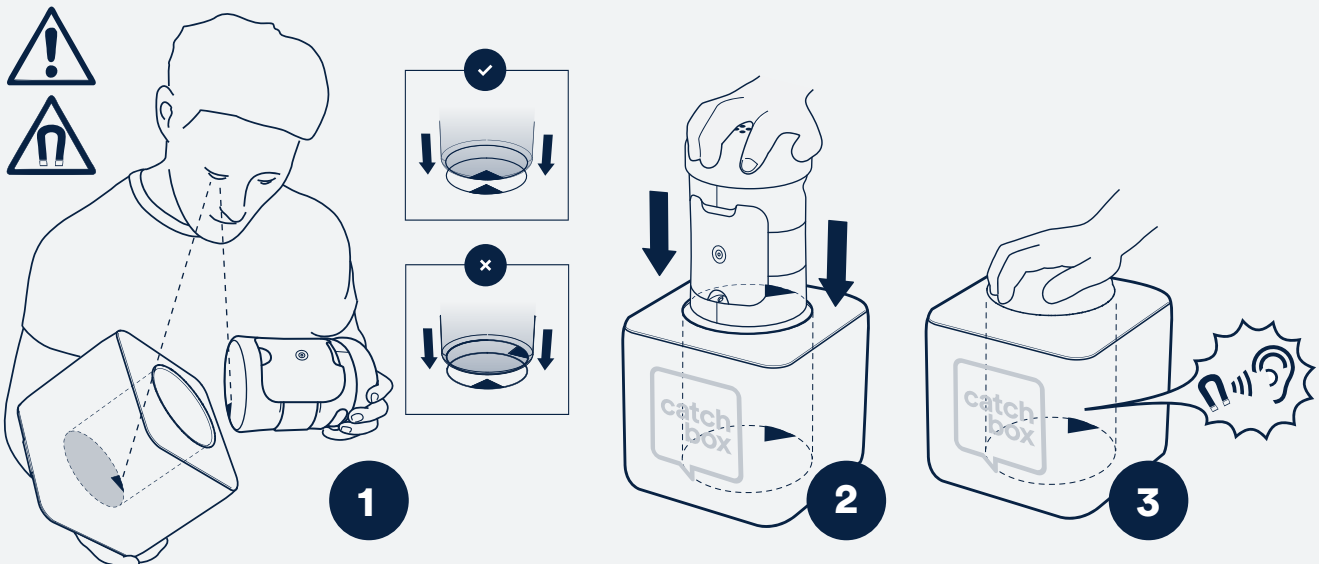


3.4.8. Securing the capsule in the cover

Place the Beltpack Module capsule inside the soft cover, making sure to align the magnetic locking mechanisms of both the cover and the capsule.

See visual marks for guidance.

Improperly locking the capsule, or a failed locking mechanism, will result in the unit coming out during use, potentially leading to serious injury and/or property damage.

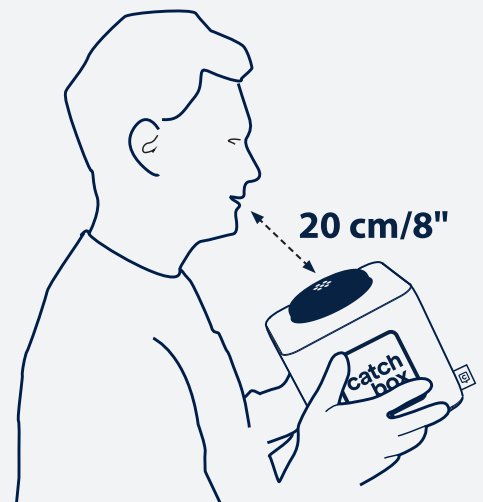


3.4.9. Testing audio levels

Test the volume level by speaking into the microphone and adjusting it using the volume controls on the third-party transmitter or receiver.

CAUTION!

Avoid excessive volume. Do not exceed 70 dBa for airborne noise. Before turning on the device, make sure the volume knob on your third-party receiver is turned to zero, so as to ensure no unexpected loud noises when starting.



4. Maintenance, Storage, and Disposal

Proper maintenance and storage of the Beltpack Module are essential to ensure the product remains operational and safe to use. Improper maintenance or storage, in turn, can lead to equipment failure which may cause serious injury during use. Do not attempt to repair the unit yourself. The equipment should be opened, serviced, and repaired by authorized personnel only. Always refer to this user manual for proper maintenance, storage, and disposal instructions. Keep this manual near the product for easy reference by all users.

4.1. Cleaning

Proper cleaning of the Beltpack Module helps maintain its functionality and longevity. To clean the equipment, use a moistened (not wet) cloth only. To clean the outer cover, first remove the Beltpack Module capsule by twisting and pulling it out to release it from the magnets. Have the cover cleaned by a professional dry cleaner and do not place the outer cover in a washing machine. Inform cleaners that the cover contains a magnet and should not be treated in temperatures exceeding 50°C / 122° F or near equipment sensitive to strong magnetic fields.

Note that the cover is treated with ViralOff® technology, which can reduce the need of frequent washing.

4.2. Storage

Proper storage of the Beltpack Module is essential for maintaining its performance. Always refer to this user manual for proper storage instructions and keep it accessible for reference by other users.

- The Beltpack Module contains strong magnets. Keep them away from devices and objects that could be damaged by strong magnetic fields, such as laptops and other electronic equipment.
- Store the Beltpack Module in temperatures between 0°C to 50°C (32°F to 122°F). Exposure to temperatures above this range can cause the locking mechanism for the capsule to fail, which may result in the capsule falling out and potentially causing injury or damage.
- Avoid placing the equipment near heat sources like heating ducts or radiators. Do not expose the Beltpack Module to direct sunlight, excessive dust, moisture, rain, mechanical vibrations, or shock.

4.3. Disposal

For disposal of broken or defective units, please return the unit to the manufacturer or consult your local waste management professionals for proper methods. Be sure to dispose of dead batteries as required by local waste disposal rules. Never throw batteries into a fire or a garbage bin.

5. Certification

The **Beltpack Module** consists of:

- Beltpack Module Capsule (Model #: CBPRO002)



Catchbox Beltpack Module

Product meets the essential requirements of the European RED directive 2014/53/EU and is found to comply with the following standards:

EN 301 489-1 v1.9.2

EN 55032:2012+AC:2013+AC:2014

EN 55024:2011

This device complies with Part 15 of the FCC Rules.

Operation is subject to the following two conditions:

- (1) this device may not cause harmful interference, and
- (2) this device must accept any interference received, including interference that may cause undesired operation.

Explore Knowledge Base or contact Support team

For more information contact the Support team to info@catchbox.com
or explore the full Knowledge base: <https://help.catchbox.com/knowledge>.

